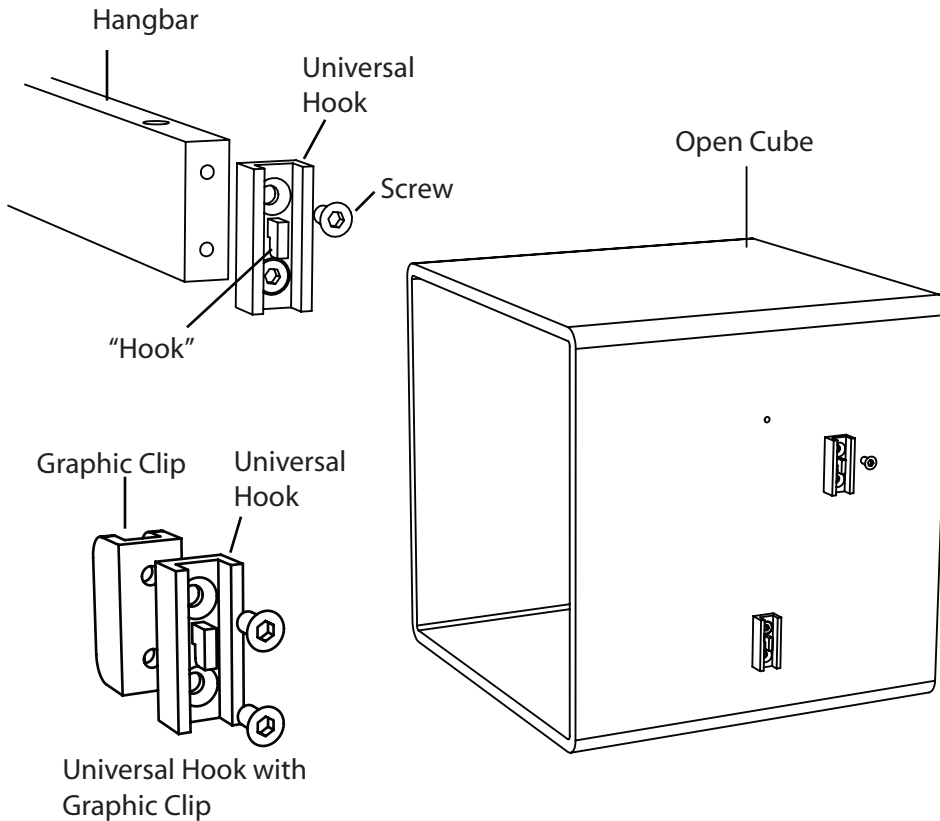


Assembly & Installation Instructions

10.1 - Soffitto Universal Hook Installation Instructions

1 Attaching Universal Hook to Accessories



1 Attaching Universal Hook

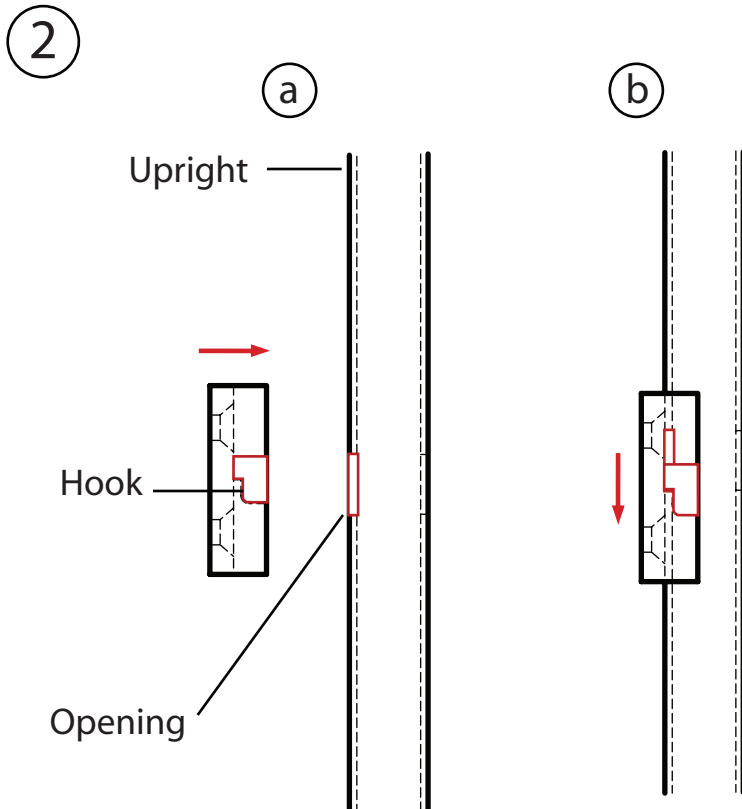
Simply use the provided screws and thread them into whichever accessory you are using. Just make sure that the "Hook" is pointing down as shown in the Images to the left.

Aside from installation on the Open Cubes, both screws will be used. For the Cubes, only use the top screw hole.

2 Mounting Accessories to Uprights

a
To mate the Universal hook and Uprights together, slide the Hook into the Upright via one of the openings

b
Once in the Opening, push the hook down. Sliding it down will lock the Hook (and whatever Accessory is used) down.



APPROVED
By dwilliams at 3:55 pm, Jun 23, 2010



B&N INDUSTRIES
650.593.4127
WWW.BNIND.COM