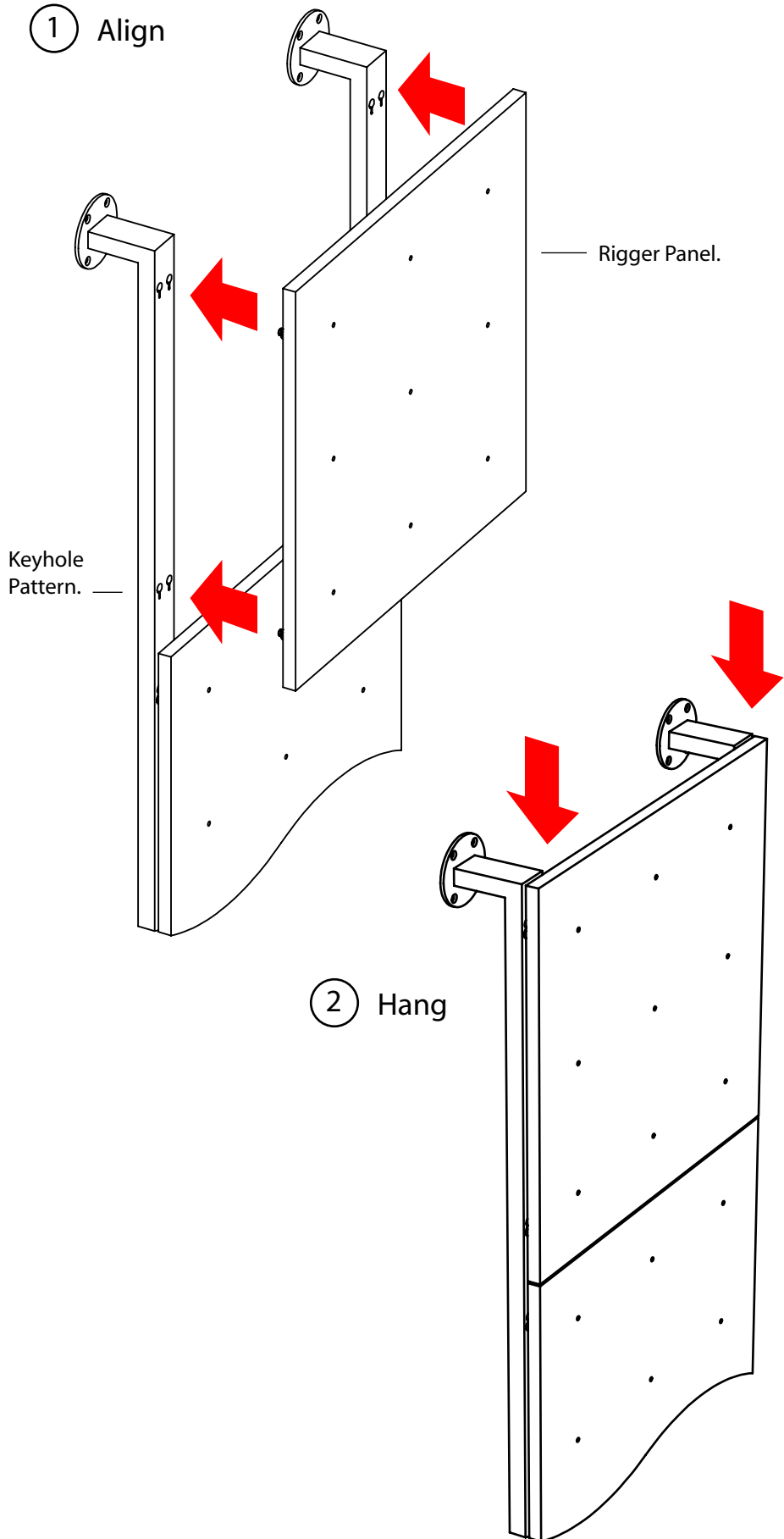
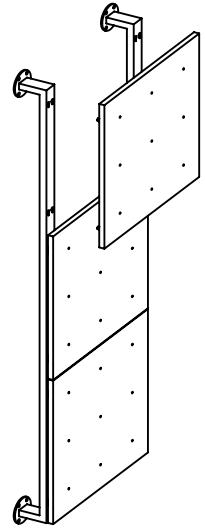


Assembly & Installation Instructions

① Align



11.3 : RIGGER PANEL ATTACHMENT



Basic Rigger Panel Installation

Once you have the Rigger system properly installed onto the wall you will want to attach Panels to the front surface. Align pins on back of Panel with Keyhole.

1. Align - Push panel until pin bottoms out in hole.
2. Hang - Allow panel to seat itself by sliding downward in keyhole channel

APPROVED
By dwilliams at 9:46 am, Aug 02, 2010



B&N INDUSTRIES
650.593.4127
WWW.BNIND.COM