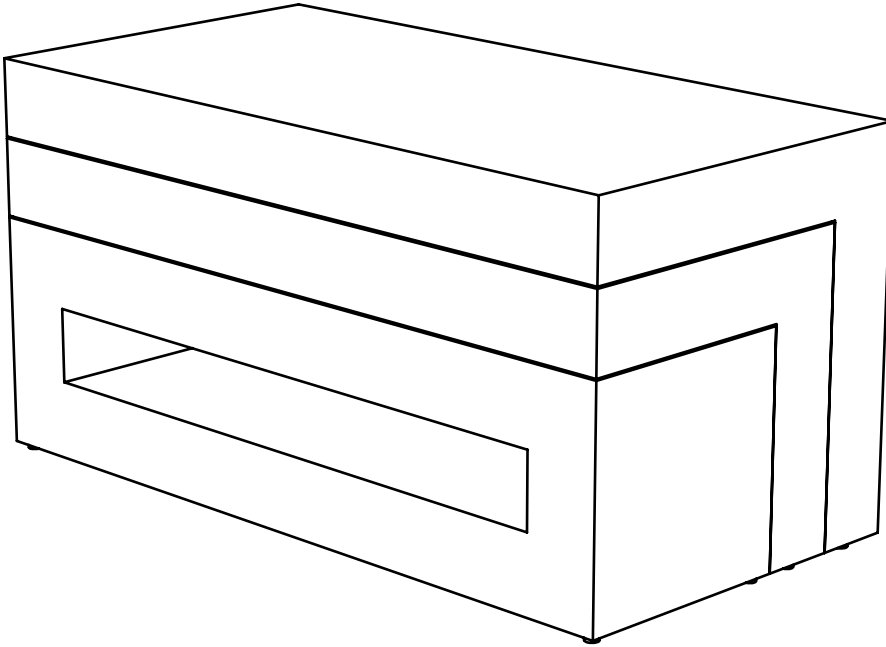


CANTILEVER NESTING TABLE APPROVED SETUPS

#582250

POSITION 1

All tables pushed together. No hardware necessary.



APPROVED
By dwilliams at 11:17 am, Sep 15, 2011



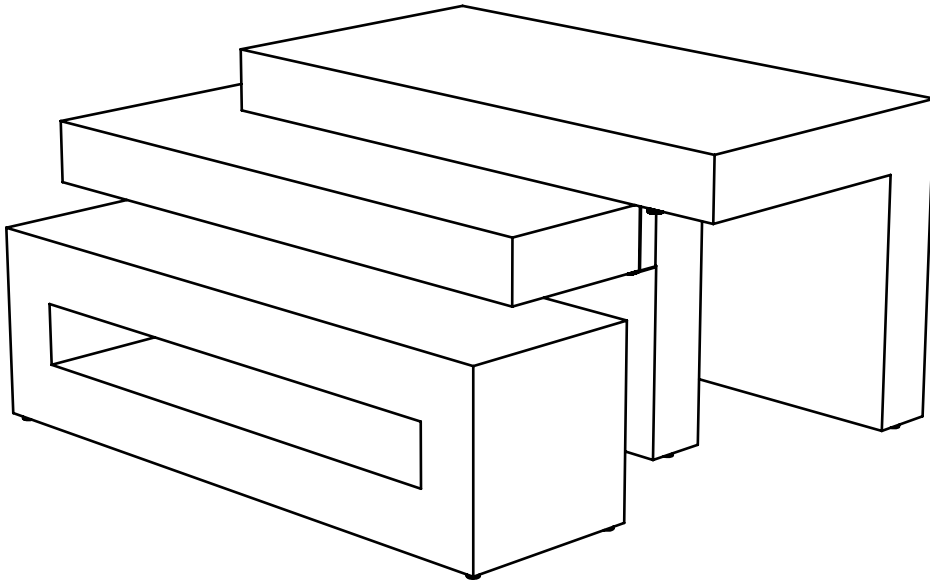
B&N INDUSTRIES
650.593.4127
WWW.BNIND.COM

CANTILEVER NESTING TABLE APPROVED SETUPS

#582250

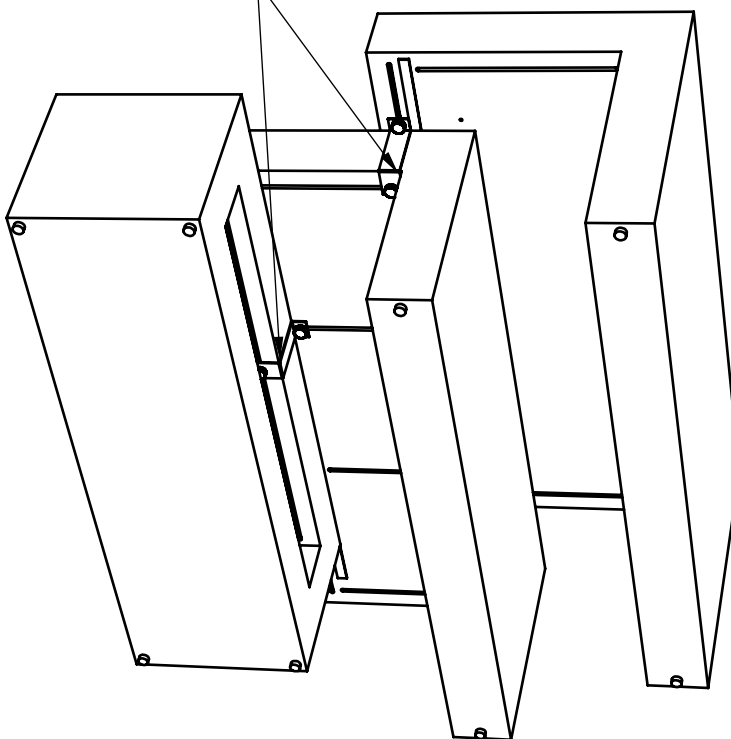
POSITION 2

Tables are pulled apart and slightly staggered. A minimum of 2 brackets are suggested to be used.



* TABLE CAN CONFIGURED AS MIRROR OPPOSITE OF THIS SETUP

2 BRACKETS USED (MINIMUM)



APPROVED
By dwilliams at 11:16 am, Sep 15, 2011



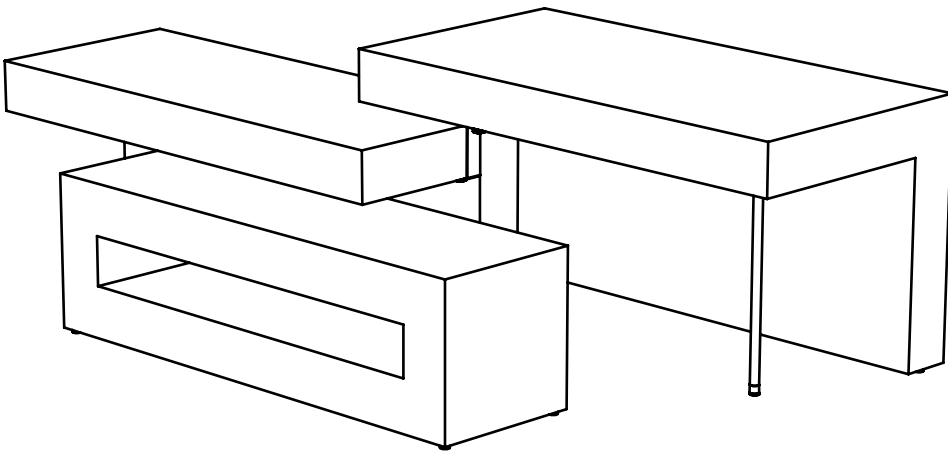
B&N INDUSTRIES
650.593.4127
WWW.BNIND.COM

CANTILEVER NESTING TABLE APPROVED SETUPS

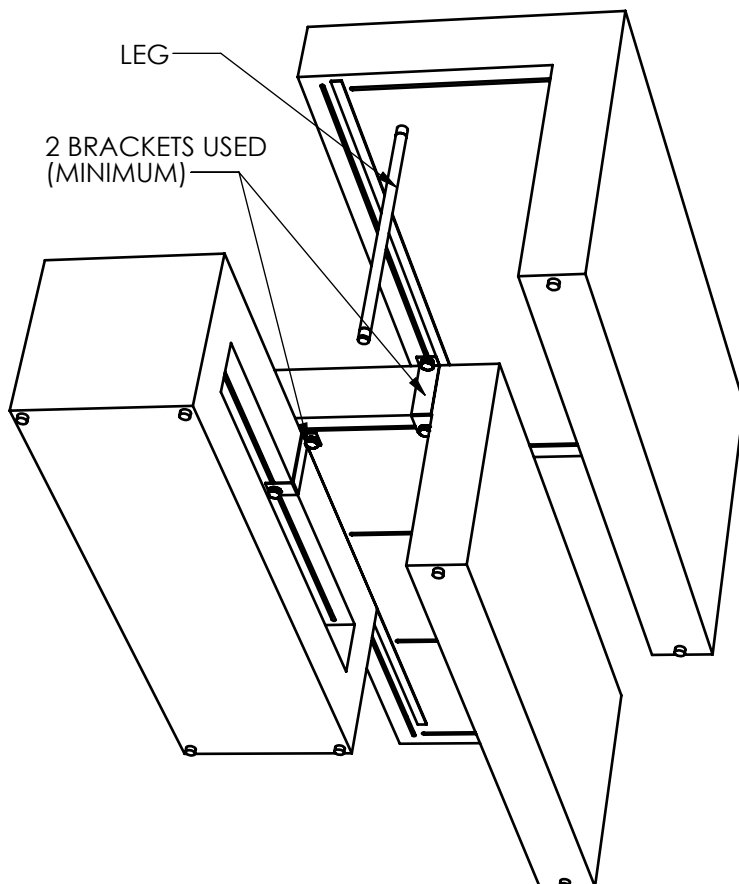
#582250

POSITION 3

Tables are pulled apart and widely staggered. A minimum of 2 brackets and the leg are suggested to be used.



* TABLE CAN CONFIGURED AS MIRROR OPPOSITE OF THIS SETUP



APPROVED
By *dwilliams* at 11:16 am, Sep 15, 2011



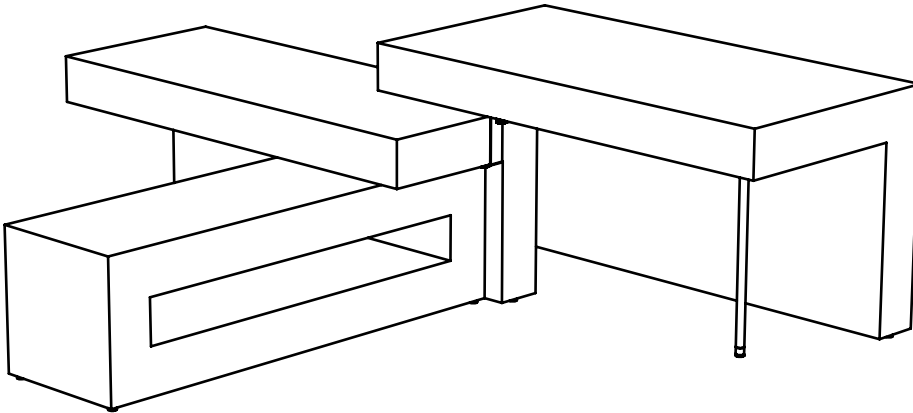
B&N INDUSTRIES
650.593.4127
WWW.BNIND.COM

CANTILEVER NESTING TABLE APPROVED SETUPS

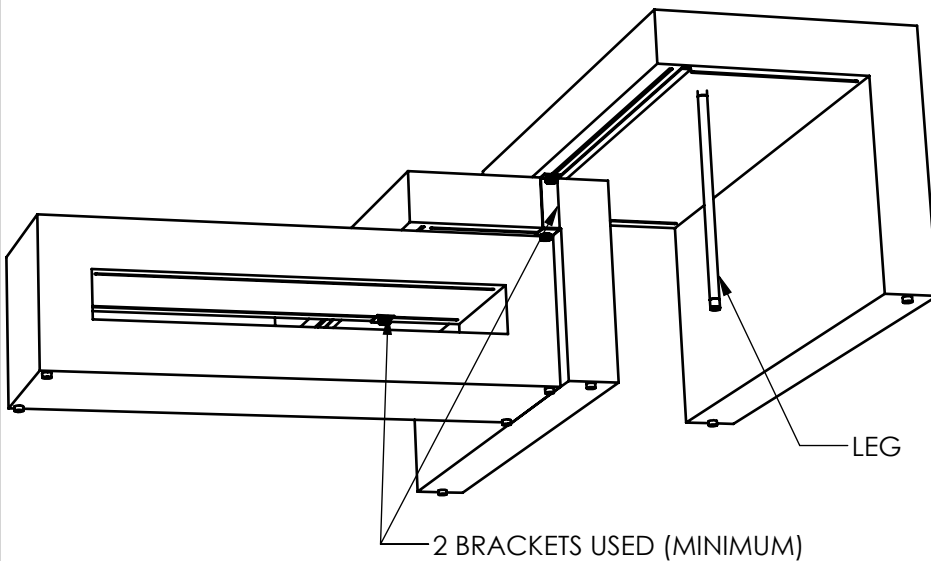
#582250

POSITION 4

Top 2 tables are pulled wide apart, while 3rd table is positioned perpendicular. A minimum of 2 brackets and the leg are suggested to be used.



* TABLE CAN CONFIGURED AS MIRROR OPPOSITE OF THIS SETUP



APPROVED
By dwilliams at 11:16 am, Sep 15, 2011



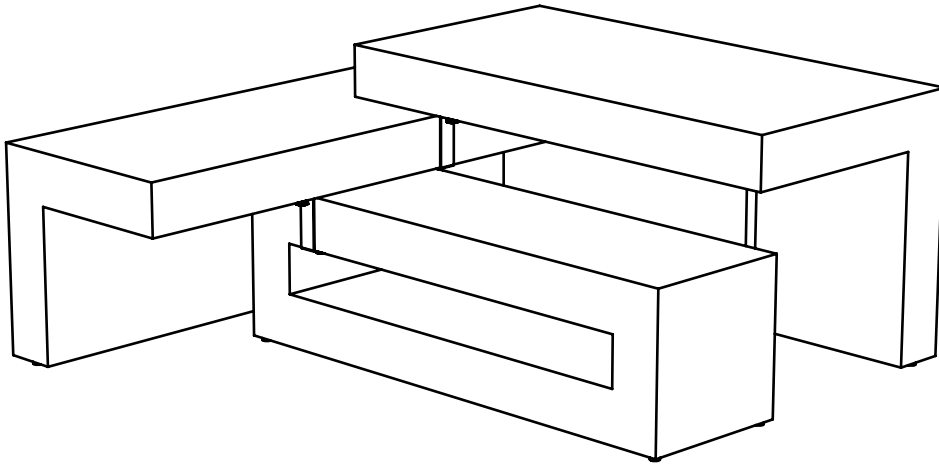
B&N INDUSTRIES
650.593.4127
WWW.BNIND.COM

CANTILEVER NESTING TABLE APPROVED SETUPS

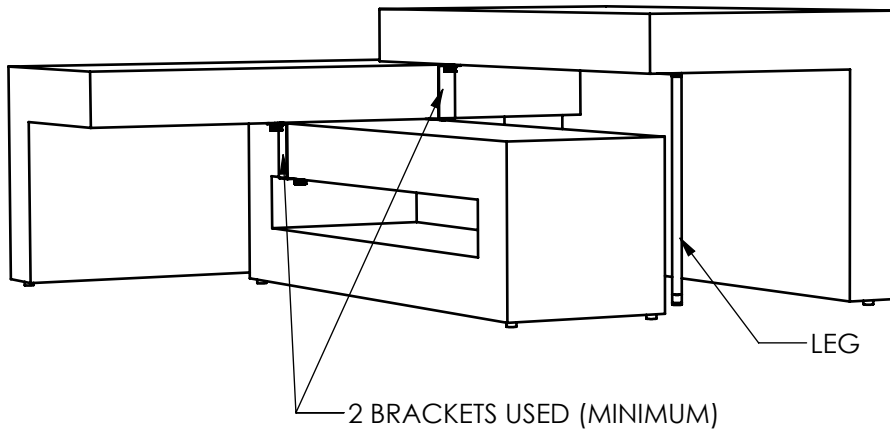
#582250

POSITION 5

Top table and bottom table sit parallel, while middle table is positioned perpendicular and off center. A minimum of 2 brackets and the leg are suggested to be used.



* TABLE CAN CONFIGURED AS MIRROR OPPOSITE OF THIS SETUP



APPROVED
By *dwilliams* at 11:15 am, Sep 15, 2011



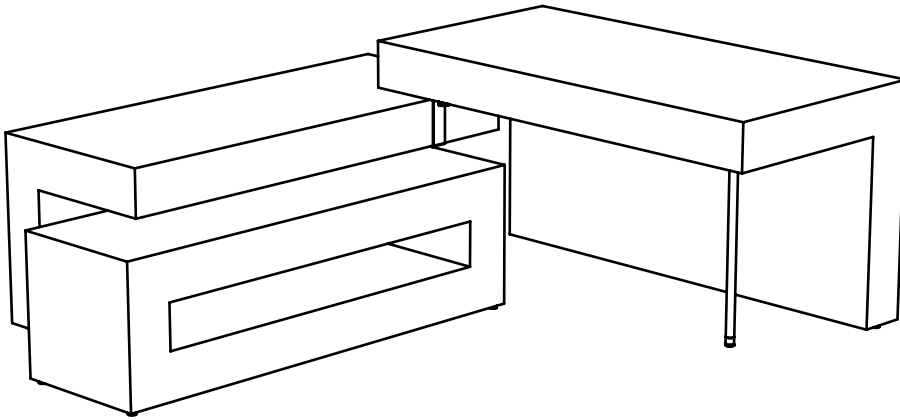
B&N INDUSTRIES
650.593.4127
WWW.BNIND.COM

CANTILEVER NESTING TABLE APPROVED SETUPS

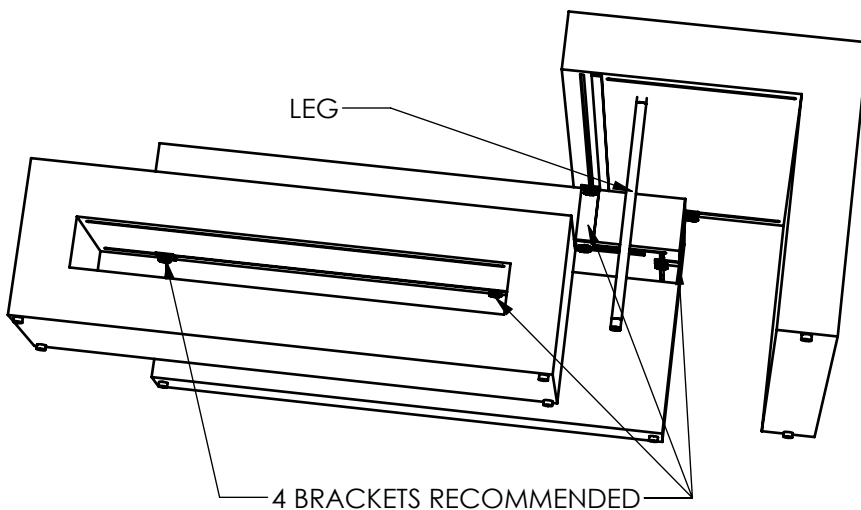
#582250

POSITION 6

The two lower tables are perpendicular to the top table and off center. A minimum of 3 brackets (4 are recommended, 2 on lower table) and the leg are suggested to be used.



* TABLE CAN CONFIGURED AS MIRROR OPPOSITE OF THIS SETUP



APPROVED
By dwilliams at 11:15 am, Sep 15, 2011



B&N INDUSTRIES
650.593.4127
WWW.BNIND.COM