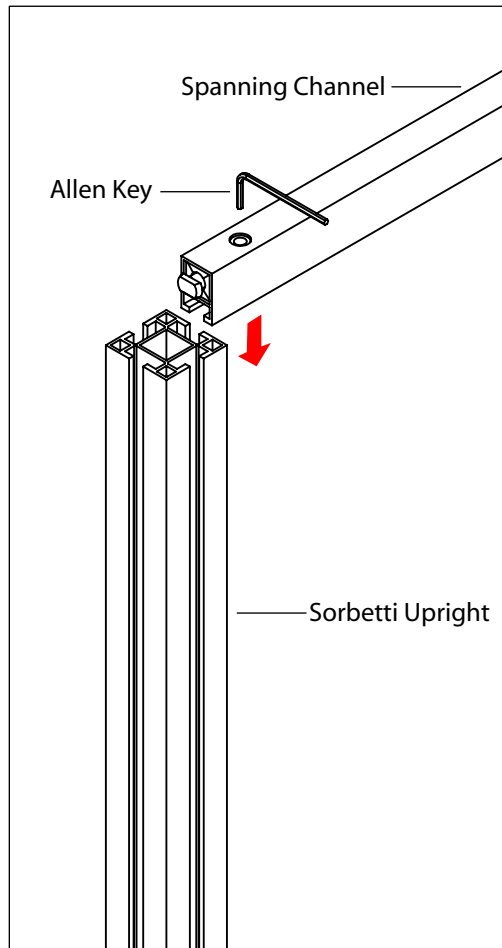


Assembly & Installation Instructions

2.10 : SORBETTI SPANNING CHANNEL DETAIL

① Assemble



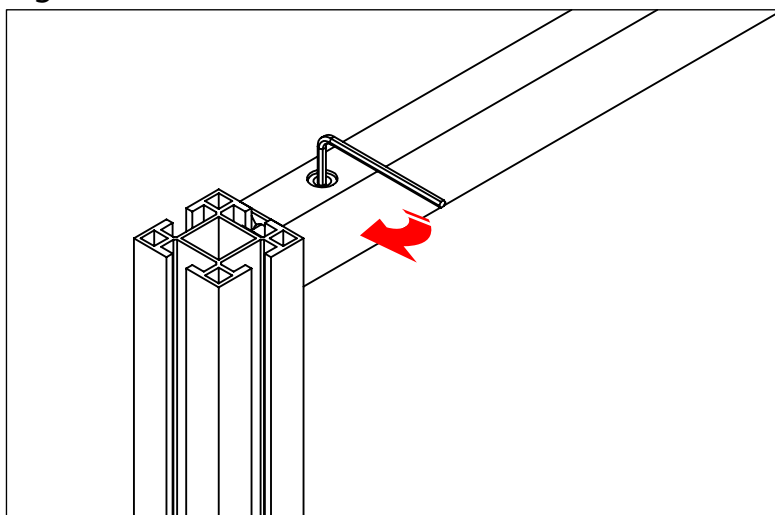
Step 1:

Slide the tip of the Spanning Channel's tightening mechanism into the channel of the Sorbetti Upright.

Step 2:

Adjust the Spanning Channel into the desired position. Tighten the Spanning Channel with the supplied Allen Key.

② Tighten



APPROVED
By *dwilliams* at 7:56 am, Jul 27, 2010



B&N INDUSTRIES
650.593.4127
WWW.BNIND.COM