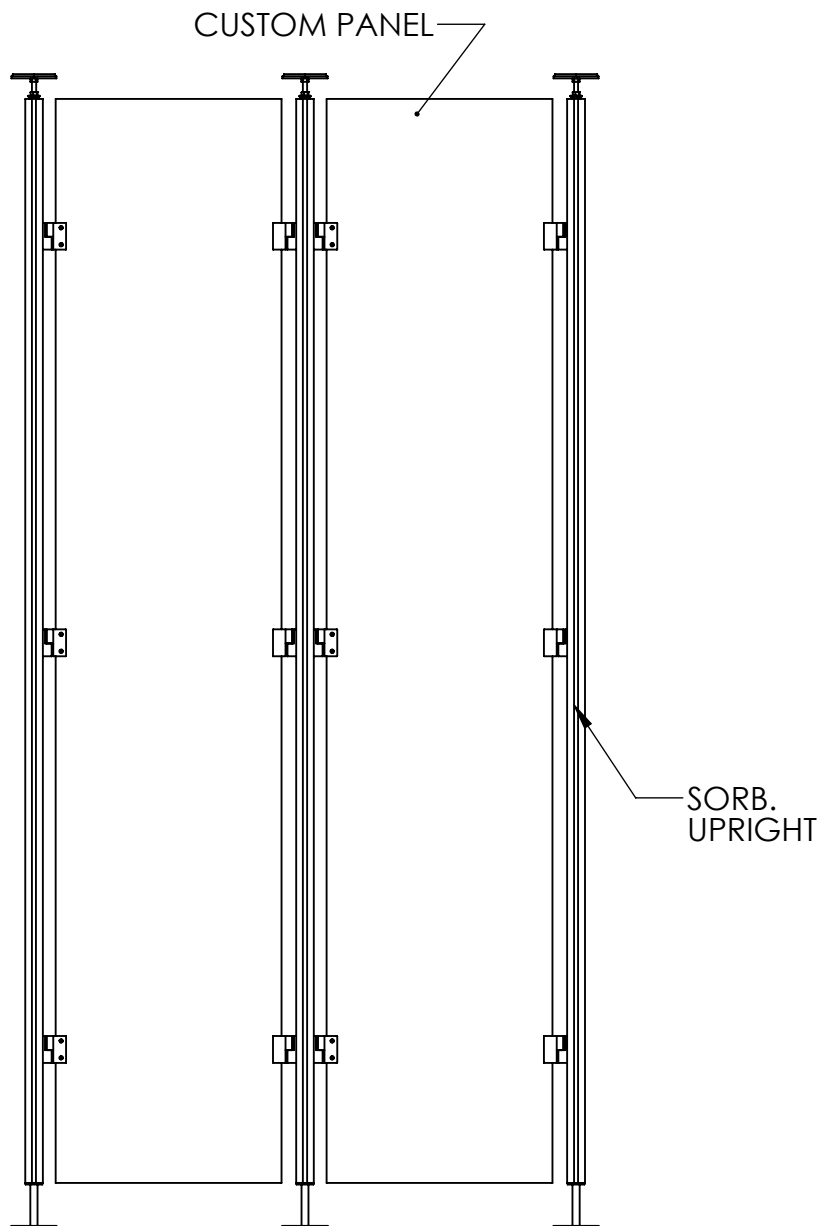
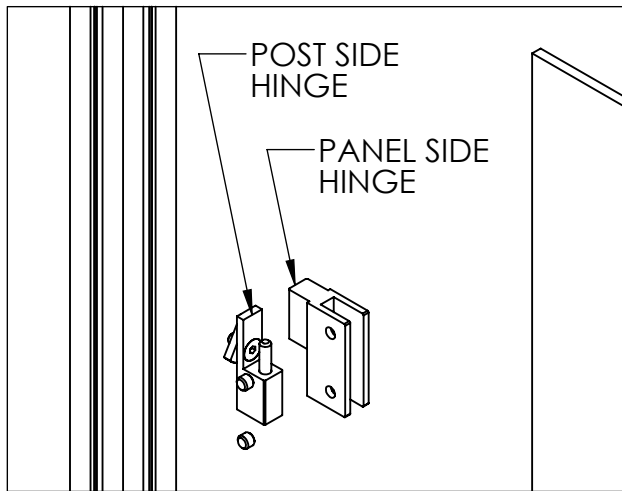


Assembly & Installation Instructions



2.11: COMPRESSION HINGE

STEP 1:
ASSEMBLE SORBETTI UPRIGHT
POLES AS PER THE DESIGN.

STEP 2:
ATTACH POST SIDE HINGE TO
UPRIGHTS WHERE DESIRED.
INSERT THE T-UNIT INTO THE
UPRIGHT CHANNEL AND
TIGHTEN THE SOCKET SCREW.

STEP 3:
ATTACH PANEL SIDE HINGE
TO PANEL TO COORDINATE
WITH POST SIDE HINGE. DO
NOT OVER TIGHTEN.

STEP 4:
WITH PANEL SIDE HINGES
ATTACHED, LIFT PANEL INTO
POSITION AND LET THE PANEL
SIDE HINGES CATCH ONTO
THE PEGS COMING UP FROM
THE POST SIDE HINGES.

STEP 5:
ADJUST THE PANEL AS
NEEDED BY LOOSENING AND
TIGHTENING HINGE
COMPONENTS.

APPROVED
By dwilliams at 8:08 am, Jul 27, 2010



B&N INDUSTRIES
650.593.4127
WWW.BNIND.COM