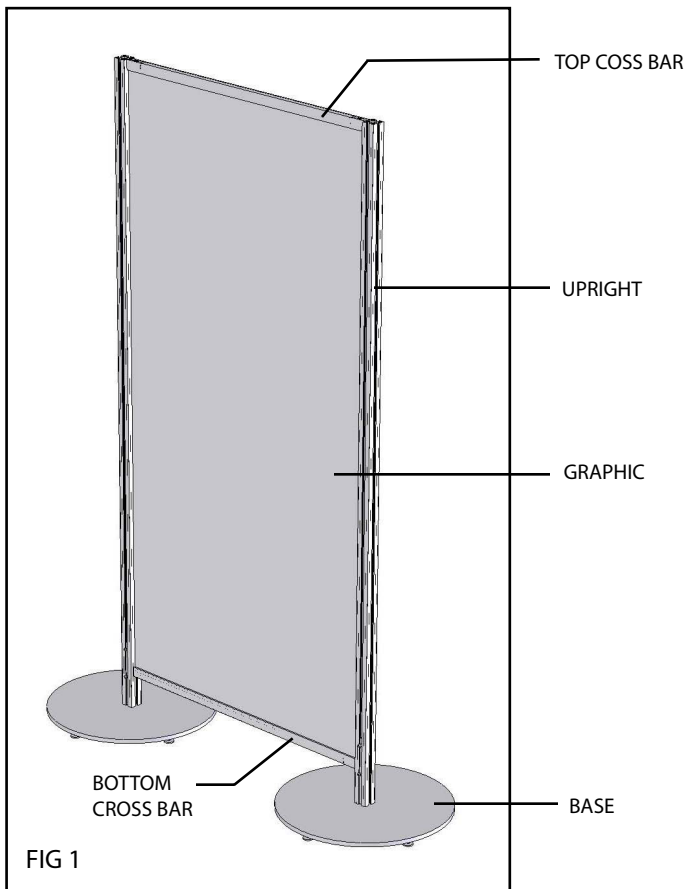


Assembly & Installation Instructions

2.12 : SORBETTI FREESTANDING GRAPHIC ASSEMBLY



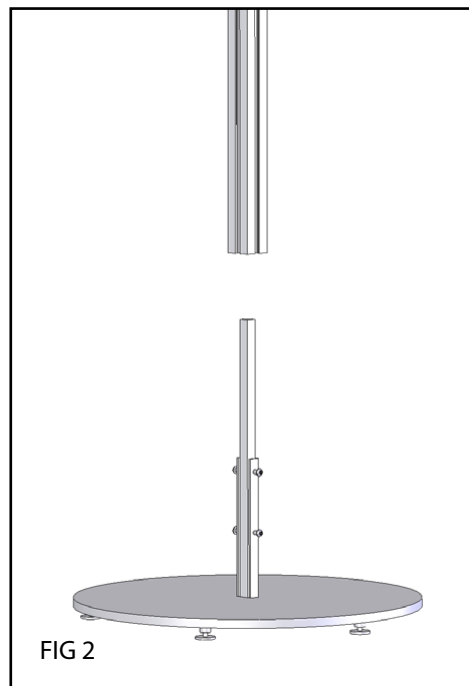
STEP 1:
ATTACH UPRIGHTS TO BASE. INSERT CENTER CHANNEL OF UPRIGHT ONTO STEM OF BASE. SLIDE POLE DOWN COMPLETELY ONTO BASE AND TIGHTEN THE 4 SET SCREWS WITH SUPPLIED HEX KEY. REPEAT PROCESS ON BOTH SIDES OF POLES AND BASES (SEE FIG 2).

STEP 2:
STAND POLES IN APPROXIMATE FINAL LOCATION IN STORE. SET SCREWS OF BASES SHOULD FACE FORWARD (SEE FIG 3)

STEP 3:
ATTACH LOWER CROSSBAR TO POLE BY SIMULTANEOUSLY INSERTING METAL STEMS ON BOTH ENDS OF CROSSBAR INTO THE CENTER CHANNEL OF BOTH POLES. BE SURE THE CHANNEL OF THE CROSS BAR IS FACING UP. (SEE FIG. 4 & 5)

TIGHTEN SET SCREWS ON BOTTOM CROSSBAR TO LOCK IN PLACE (THIS CAN BE ADJUSTED LATER).

INSTRUCTIONS CONTINUE ON NEXT PAGE.



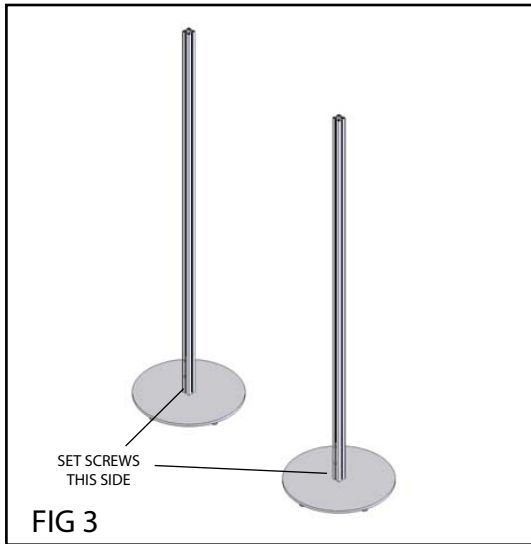
APPROVED
By dwilliams at 8:10 am, Jul 27, 2010



B&N INDUSTRIES
650.593.4127
WWW.BNIND.COM

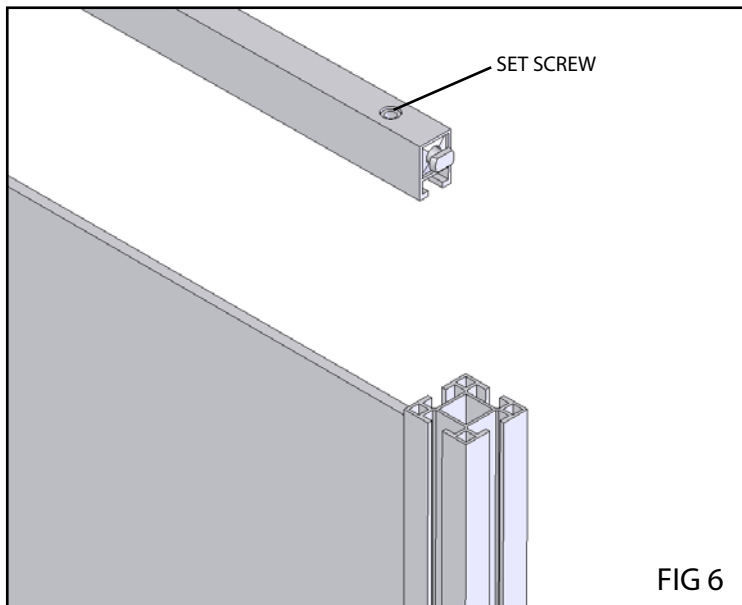
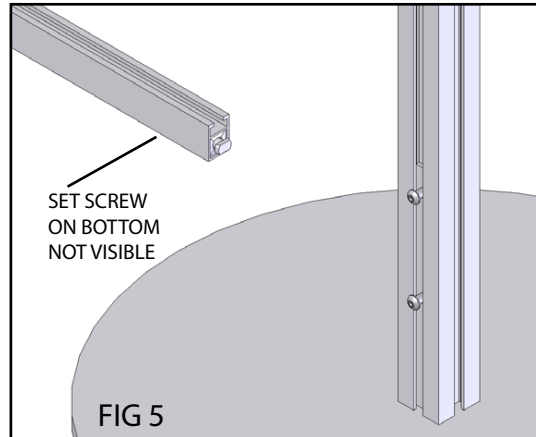
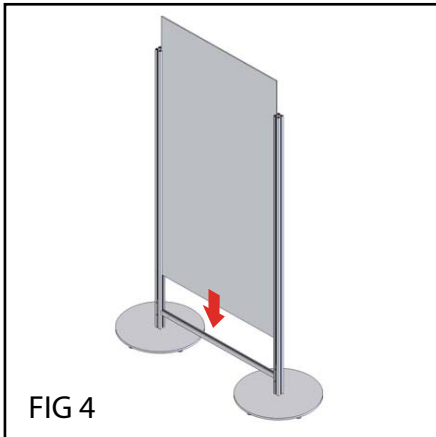
Assembly & Installation Instructions

2.8 : SORBETTI FREESTANDING GRAPHIC ASSEMBLY



STEP 4:
INSERT PRINTED GRAPHIC INTO
FIXTURE FROM ABOVE AS SHOWN
IN FIG 6.

STEP 5:
ATTACH UPPER CROSSBAR. REPEAT
THE PROCESS IN STEP 3 TO LOCK TOP
CROSSBAR IN PLACE. TOP CROSSBAR
SLOT SHOULD FACE DOWN (SEE FIG.
6). TIGHTEN SET SCREWS ON TOP
CROSSBAR TO LOCK IN PLACE.



APPROVED
By *dwiliams* at 8:11 am, Jul 27, 2010



B&N INDUSTRIES
650.593.4127
WWW.BNIND.COM