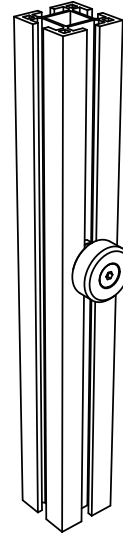
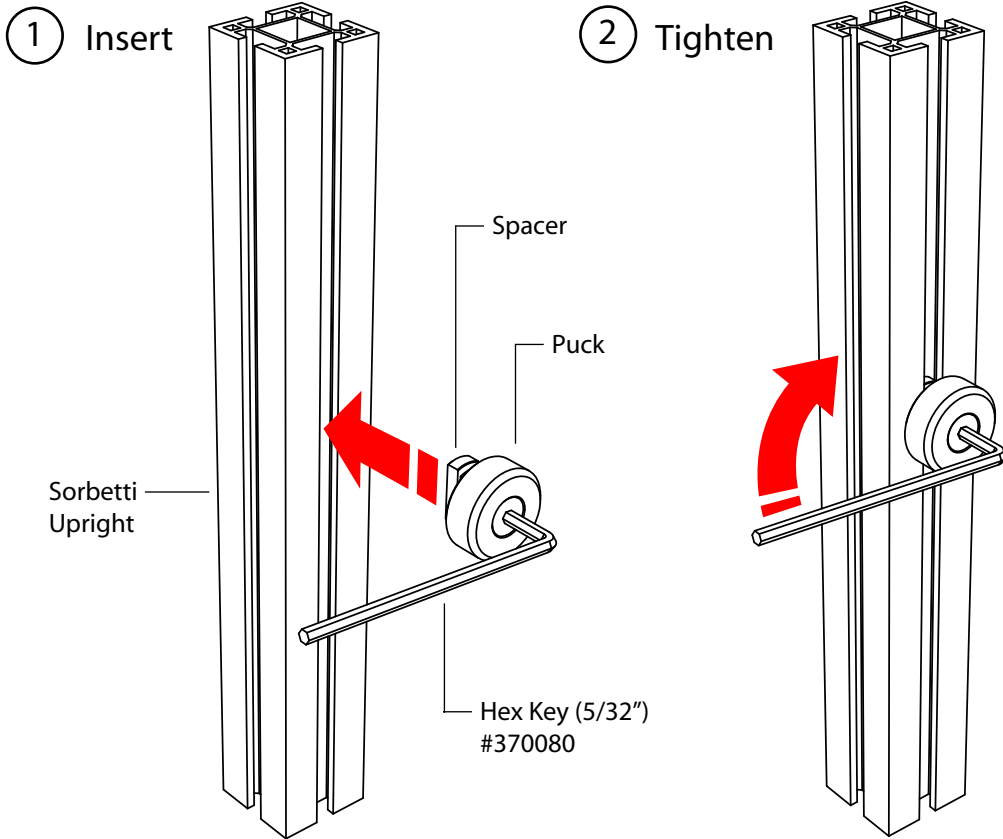


Assembly & Installation Instructions

2.2 : SORBETTI ACCESSORIES/PUCK

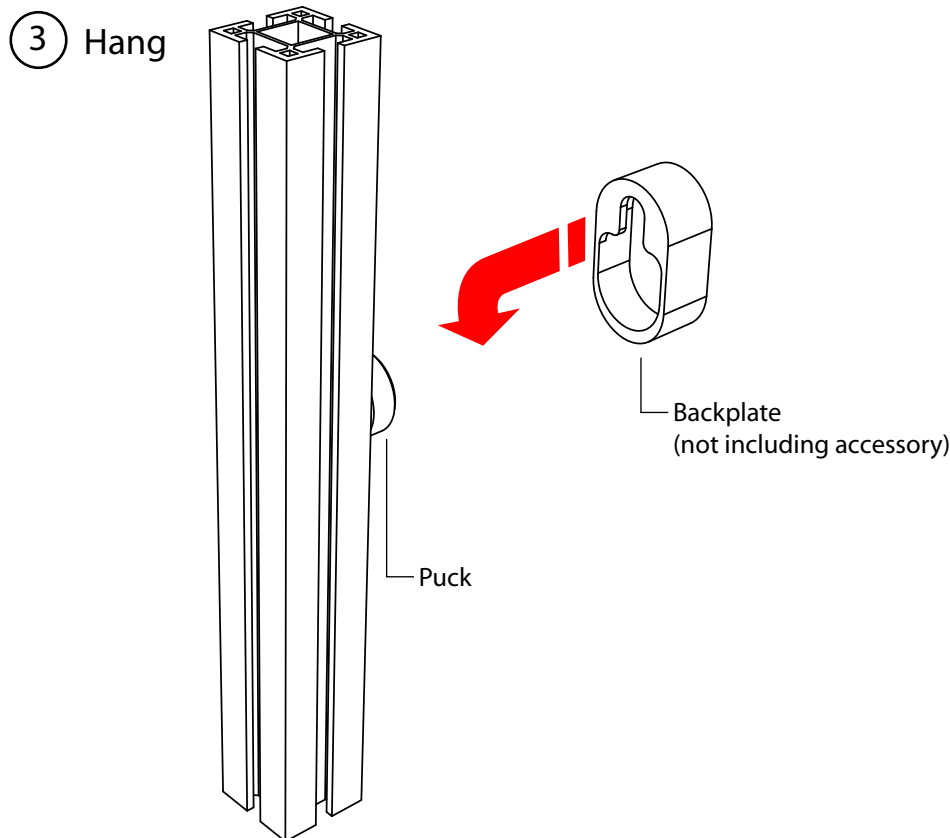


Basic Sorbetti Accessory Installation

1. Insert- Make sure the back of the PUCK is aligned with the EXTRUSION and the spacer sits inside of the channel.

2. Tighten- As the bolt tightens be sure the SPACER rotates and locks against the inside of the channel, securing the PUCK in place.

3. Hang- Locate the BACKPLATE on the accessory. Lift BACKPLATE over the PUCK and slide accessory down so that the PUCK is completely inserted into the BACKPLATE.



APPROVED
By dwilliams at 8:52 am, May 15, 2013



B&N INDUSTRIES
650.593.4127
WWW.BNIND.COM