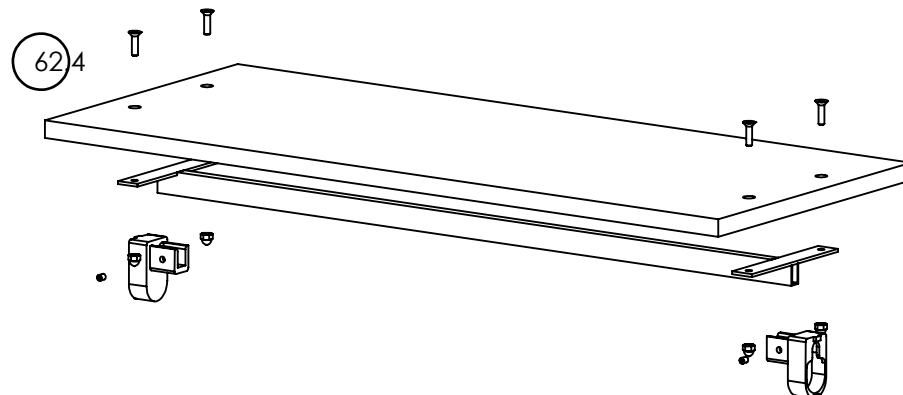
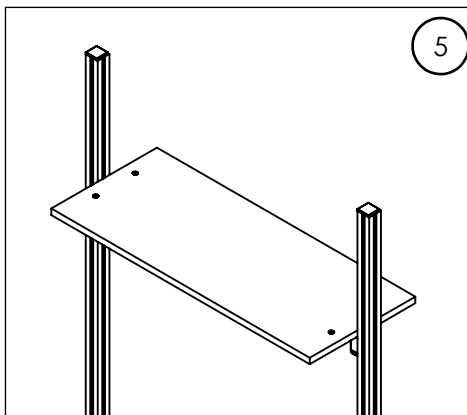
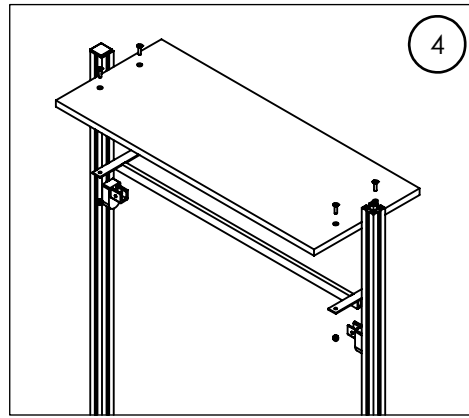
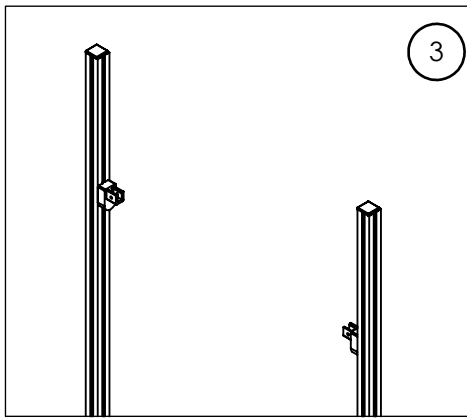
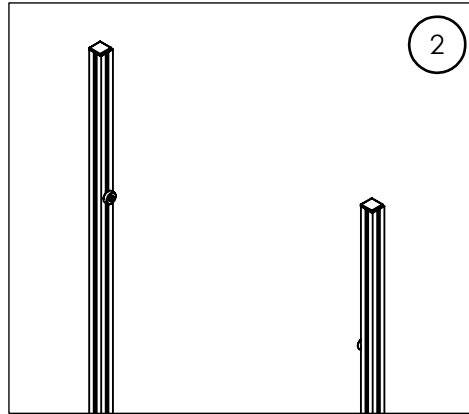
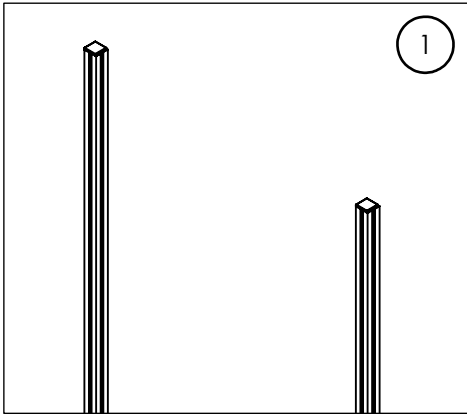


# Assembly & Installation Instructions



## 2.4 - SHELVING

STEP 1:  
IF UPRIGHTS ARE ALREADY INSTALLED, ASSEMBLY OF SPANNING SHELF IS THE SAME, BUT FOR A NEW INSTALL IT MAY BE EASIER TO LAY THE UPRIGHTS NEXT TO EACH OTHER.

STEP 2:  
ATTACH SORBETTI PUCKS TO UPRIGHT CHANNELS FACING EACH OTHER AT SAME HEIGHT.

STEP 3:  
THE SPANNING SHELF HAS MULTIPLE COMPONENTS (SEE LAST ILLUSTRATION). THE TWO BACK PLATES SLIDE OVER THE SORBETTI PUCKS AND LOCK INTO PLACE.

STEP 4:  
THE SPANNING BAR SUPPORT FOR THE SHELF CAN BE ATTACHED TO THE SHELF BEFORE OR AFTER ASSEMBLY, BUT IN MOST CASES THE SPANNING BAR AND SHELF WILL COME ASSEMBLED. THERE ARE 4 SCREWS AND 4 ACORN NUTS ATTACHING THE SHELF TO THE BAR. THE SPANNING BAR SUPPORT FITS INTO THE BACK PLATES, AND IS TIGHTENED (ON BOTH SIDES) BY 4 SET SCREWS.

STEP 5:  
THE SHELF IS NOW SCURE. TO REPOSITION THE SHELF, REVERSE INSTRUCTIONS BACK TO STEP 2, AND REPOSITION THE SORBETTI PUCKS.

THE FINAL IMAGE SHOWS THE SHELF ASSEMBLY IN AN EXPLODED VIEW.

**APPROVED**  
By dwilliams at 9:07 am, May 15, 2013



B&N INDUSTRIES  
650.593.4127  
WWW.BNIND.COM