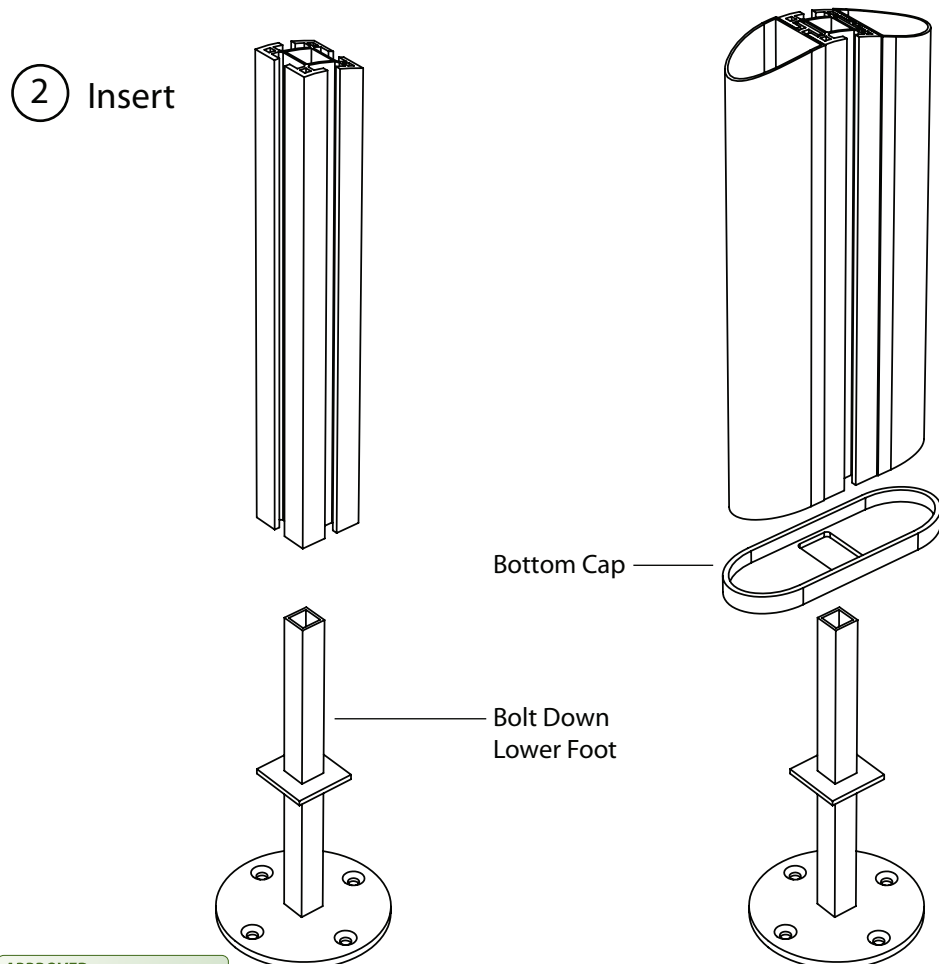
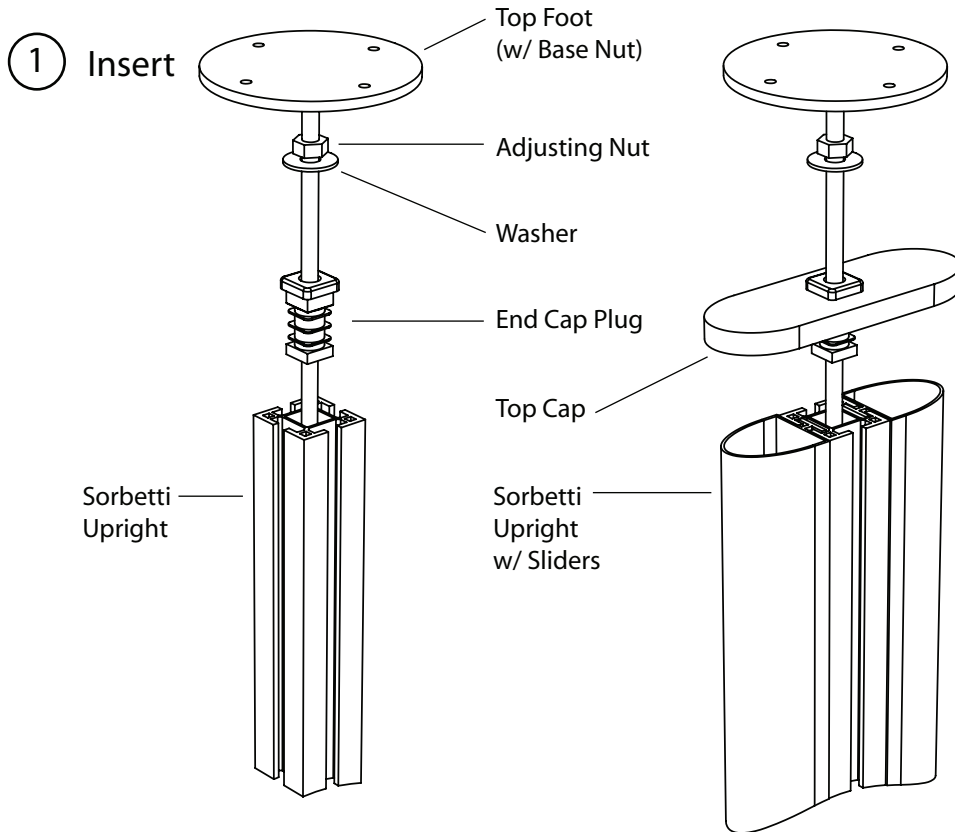
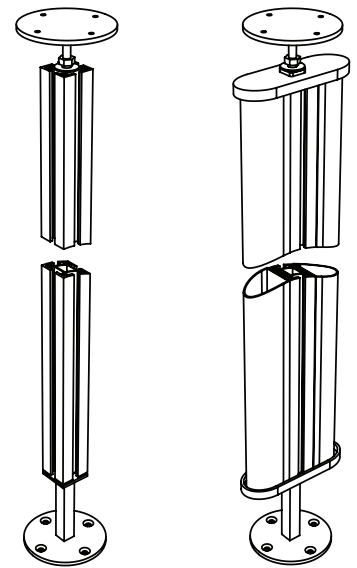


Assembly & Installation Instructions



2.6 : SORBETTI TENSION ASSEMBLY SET-UP



Sorbetti Tension Foot Setup

1. Insert- TOP FOOT assembly into SORBETTI UPRIGHT, making sure of the correct order of parts. **Be sure ADJUSTING NUT is adjusted all the way to the BASE NUT to allow for maximum clearance between TOP FOOT and ceiling during install.**

2. Insert- BOLT DOWN LOWER FOOT into the bottom of the Sorbetti UPRIGHT.

3. Adjust- Turn TOP FOOT clockwise until it comes in contact with the ceiling- fitment should be snug. Once the desired location and adjustment has been set lock ADJUSTING NUT into the END CAP by turning it clockwise with an adjustable wrench.

4. Secure- Screw TOP FOOT and BOLT DOWN LOWER FOOT if necessary with screws (not provided).

Note: Sorbetti Tension TOP FOOT has a maximum adjustment of 4".

Check pole assembly over time to make sure it remains firmly attached.