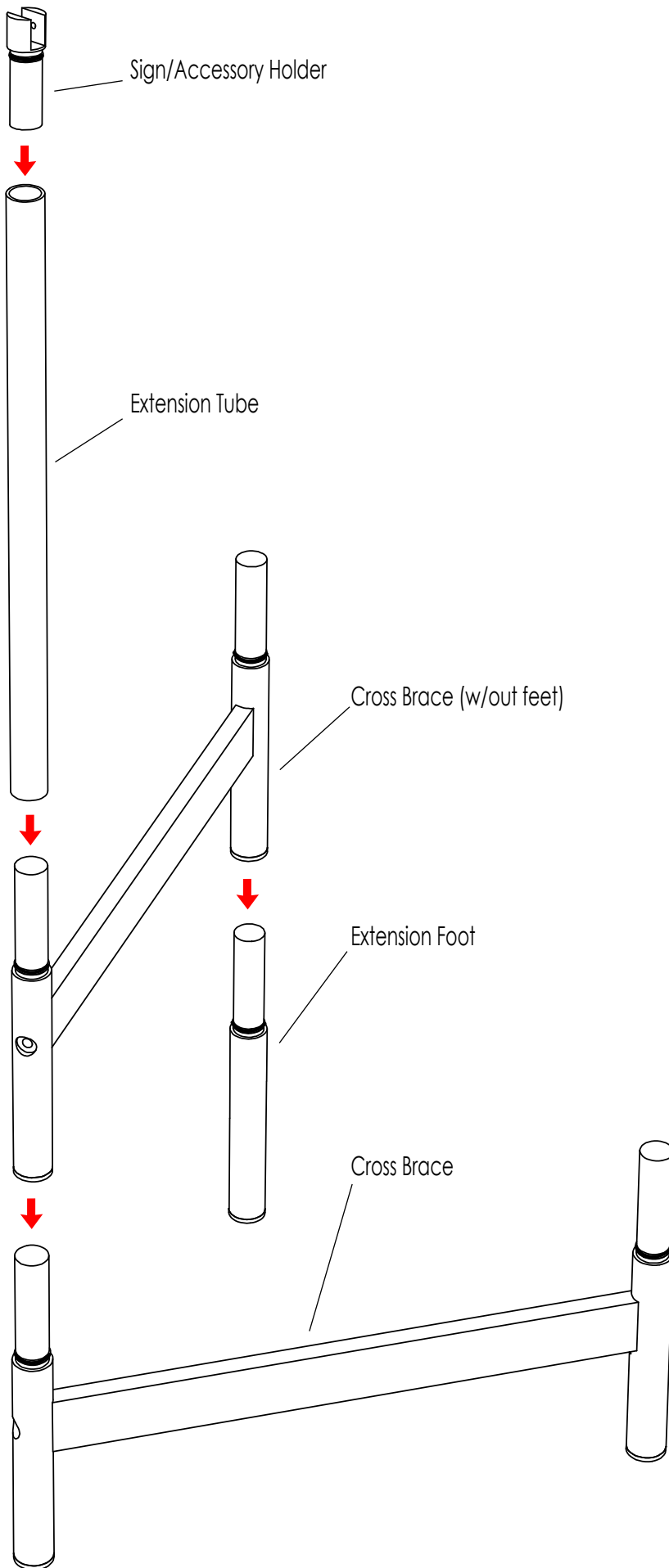
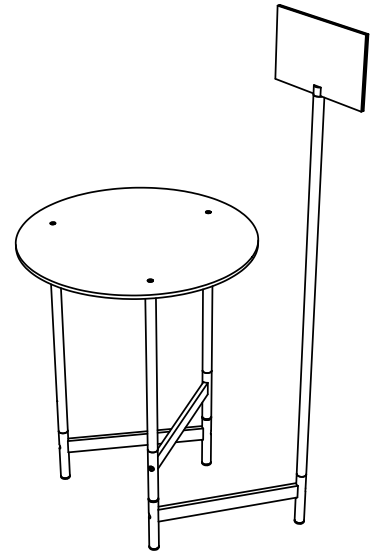


Assembly & Installation Instructions



3.1 : FREESTANDING BASIC SCISSY



Basic Freestanding Set-Up

All SCISSY & MINI SCISSY components are attached together simply by inserting the male end of the connector into the CROSS BRACE or EXTENSION TUBE until the components are flush.

NOTE: It is generally easier to begin assembly starting from the bottom.

After all structural components are assembled make sure to insert the plastic feet (included) into the bottom of the Cross Brace(s) and (or) Extension Feet.

Tools are only necessary with addition of TABLE TOPS and SIGNAGE.
3mm Allen Key will be provided.

APPROVED
By dwilliams at 9:40 am, Jun 24, 2010



B&N INDUSTRIES
650.593.4127
WWW.BNIND.COM