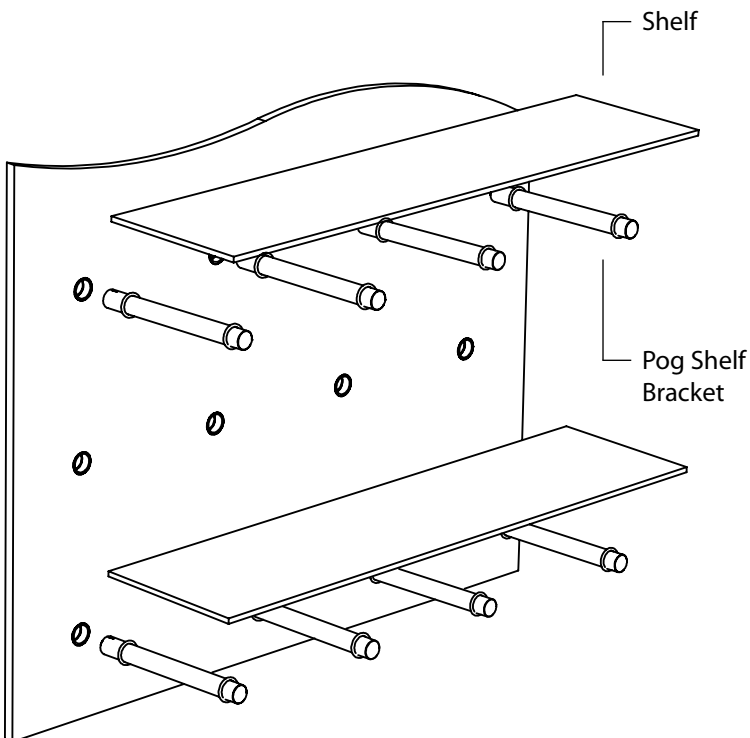
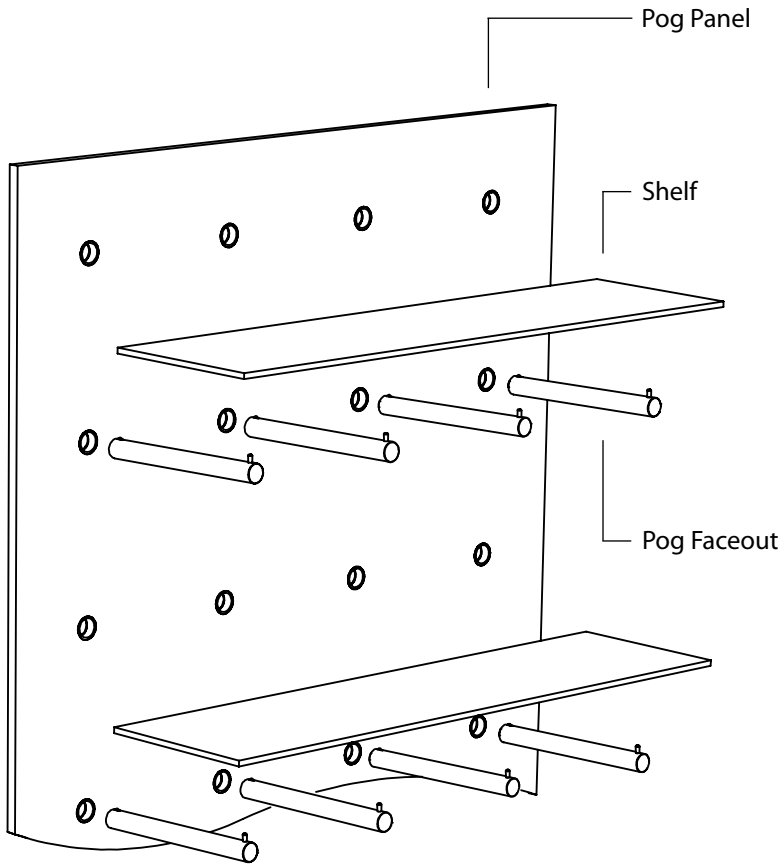
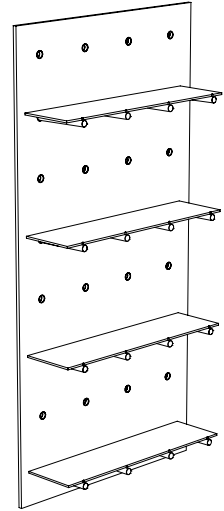


Assembly & Installation Instructions



POG: SHELVING



Pog Shelving Installation

After placing a Pog Faceout, or Pog Shelf Bracket, into the Pog Insert place shelving ontop of Faceouts and Shelf Brackets.

Note:

It is highly recommended to support each linear foot of shelving with a Faceout or Shelf bracket.

APPROVED

By dwilliams at 9:12 am, Feb 28, 2013



B&N INDUSTRIES
650.593.4127
WWW.BNIND.COM