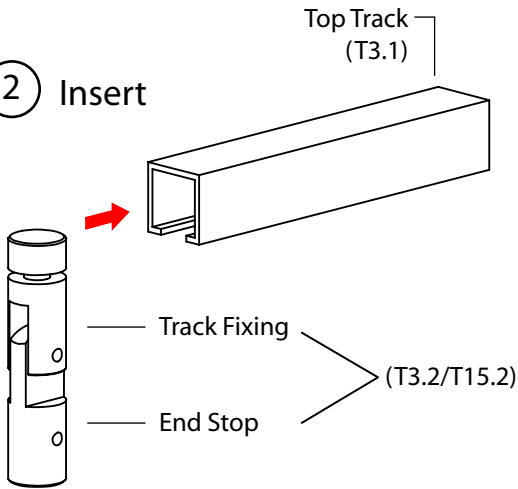


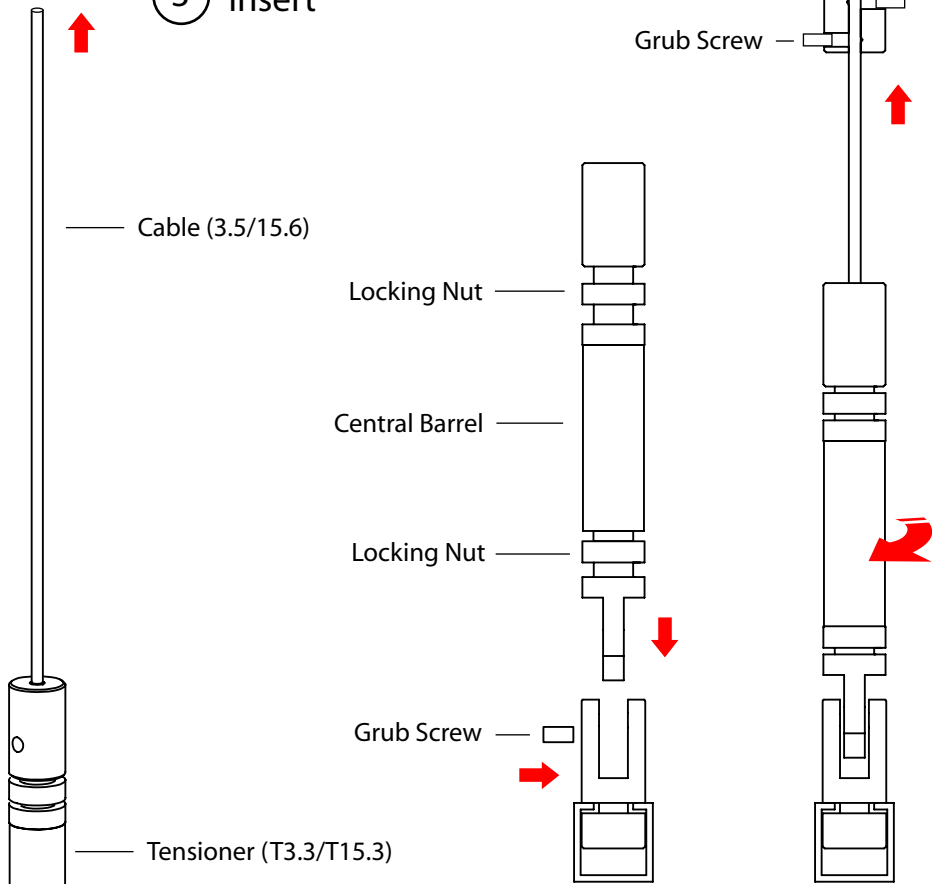
Assembly & Installation Instructions

1 Mount

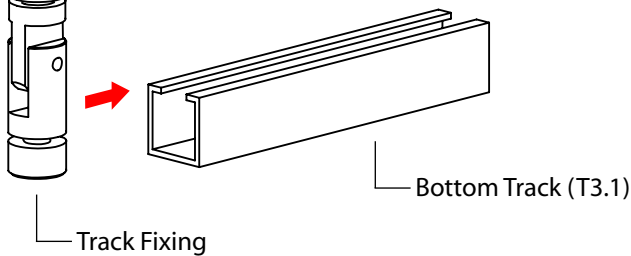
2 Insert



3 Insert

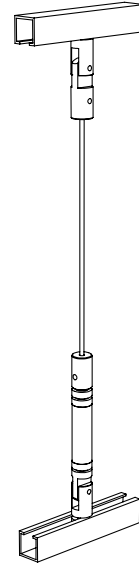


4 Mount



5 Tighten

6.3 : CABLE SYSTEM, TRACK



Track System Installation

1. Mount- Using the appropriate hardware and blocking (studs, rafters) mount the Top Track to the ceiling.
2. Insert the correct number of Track Fixings required for your assembly. Measure from floor to ceiling, subtract 5 7/8 inches and cut cable to that length. (Cut one cable and test before cutting all cables.)
3. Insert - Slide the cable into the end stop and tensioner, making sure the cable passes behind both grub screws, tighten securely.
4. Mount- the Bottom Track to the floor so that it lines up plumb with the Top Track.
5. Tighten - Make sure the tensioner on the central barrel is fully open before inserting into the bottom track. Rotate central barrel on tensioner to tension cable. After cable is tight, use the two locking nuts to secure cable tension.

Please Note: DO NOT overtighten picture panel/shelf grips, as this may cause damage to the cable.

It is important to add adequate blocking to hold desired display weight loads. Questions? Please contact your