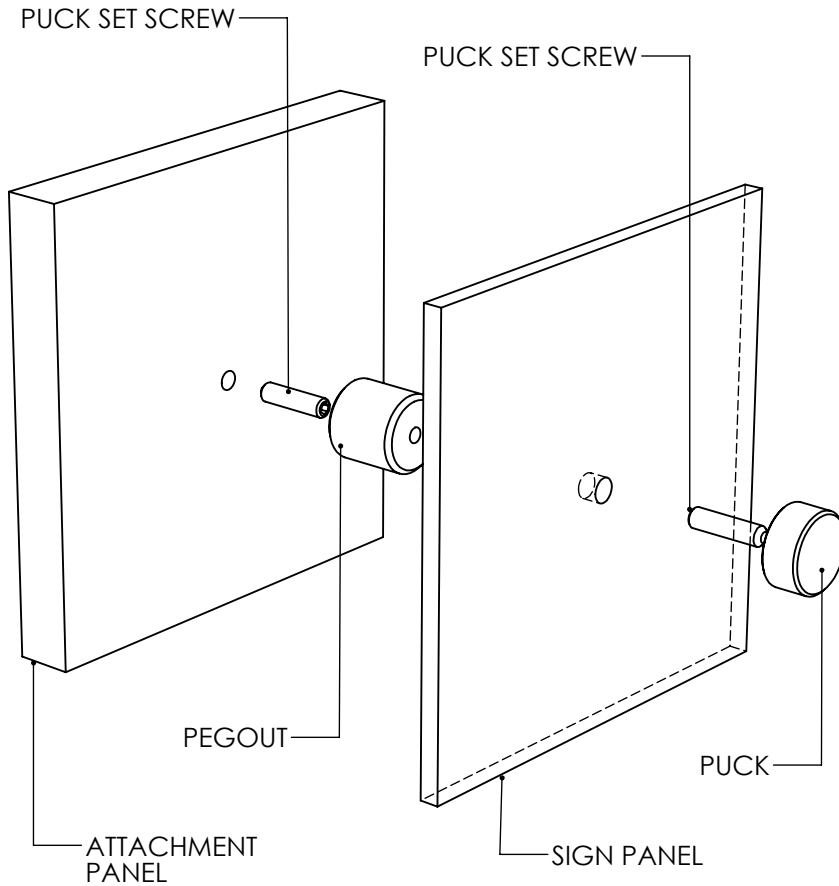
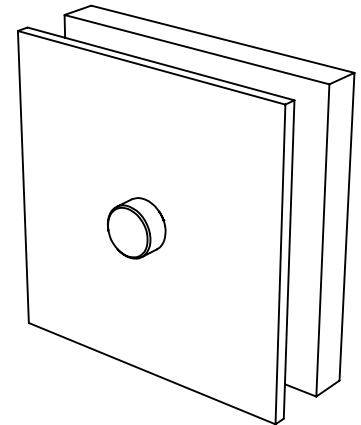


# Assembly & Installation Instructions

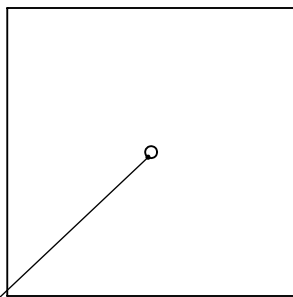
## 8.2 : SIGNAGE WALL PUCK PEGOUT



### Puck Pegout Installation

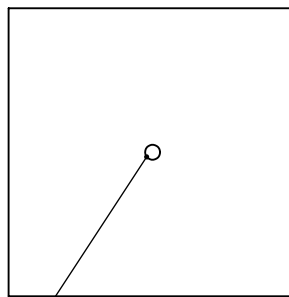
1. Using the hole guides, drill the appropriate holes into the attachment panel and sign panels.
2. Screw a puck set screw half way into the threaded insert on the attachment panel.
3. Screw the pegout onto the set screw until it is flush and hand tight against the attachment panel.
4. Screw the second puck set screw half way into the pegout.
5. Slide the sign panel over the set screw.
6. Screw the puck onto the set screw until it is hand tight against the sign panel.

ATTACHMENT PANEL  
HOLE GUIDE



1/4-20 THREADED INSERT

SIGN PANEL  
HOLE GUIDE



5/16" THRU HOLE

**APPROVED**

By dwilliams at 10:59 am, Sep 14, 2010



B&N INDUSTRIES  
650.593.4127  
WWW.BNIND.COM