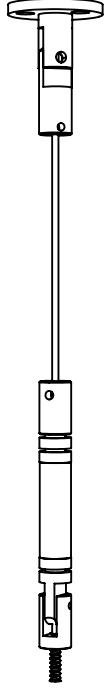
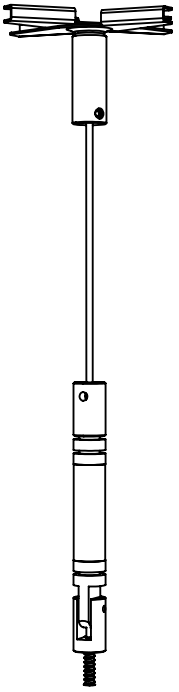


Assembly & Installation Instructions

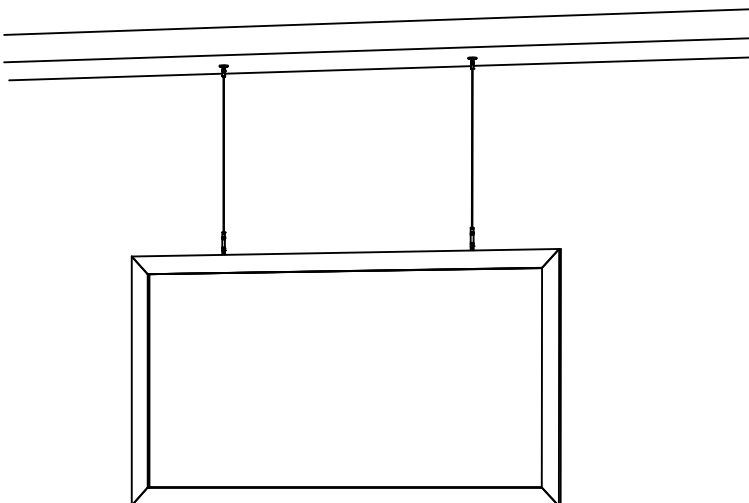
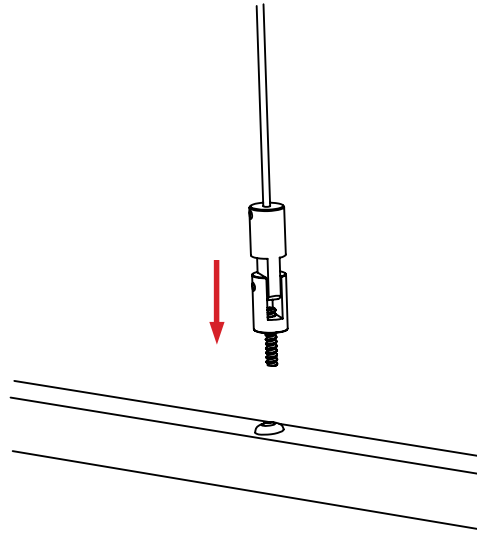
QUADRI: 9.3
CABLE HANGING ASSEMBLY

Track Hanging

Fixing Plate Hanging



Assemble as Shown



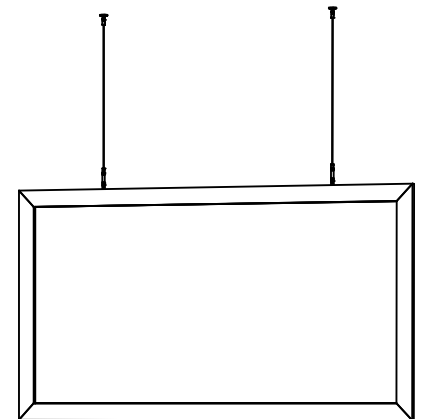
Quadri Cable Hanging components can only be used with special made frames. These frames are side loading and have insert rivets on the Top extrusion.

These Rivets are Threaded on its inside faces and have a 10-32 thread size to match our cable components.

Simply thread the provided set screw into the Frame, then into the Cable component.

Customer must supply their own screws for ceiling mount.

note: there should be blocking installed to the ceiling for the fixing plate to attach to.
(see cable installation sheet for further detail)



APPROVED
By dwilliams at 2:45 pm, Nov 04, 2010



B&N INDUSTRIES
650.593.4127
WWW.BNIND.COM