

# Assembly & Installation Instructions

## SYSTEM 1224

### 12.5 Upright with Deep Endcap

**Note:** Deep endcaps are only need when using 3/4" furring strips. Four strips are recommended with standard 8 foot Upright. (As shown below)

**Note:** Make sure the wall surface is level before installation.

**1.** Install 3/4 " x 4" furring strip (not included) to the wall first with hardware (not included). The width of furring strip will be the total width of the display (as shown on page 3, step 4).

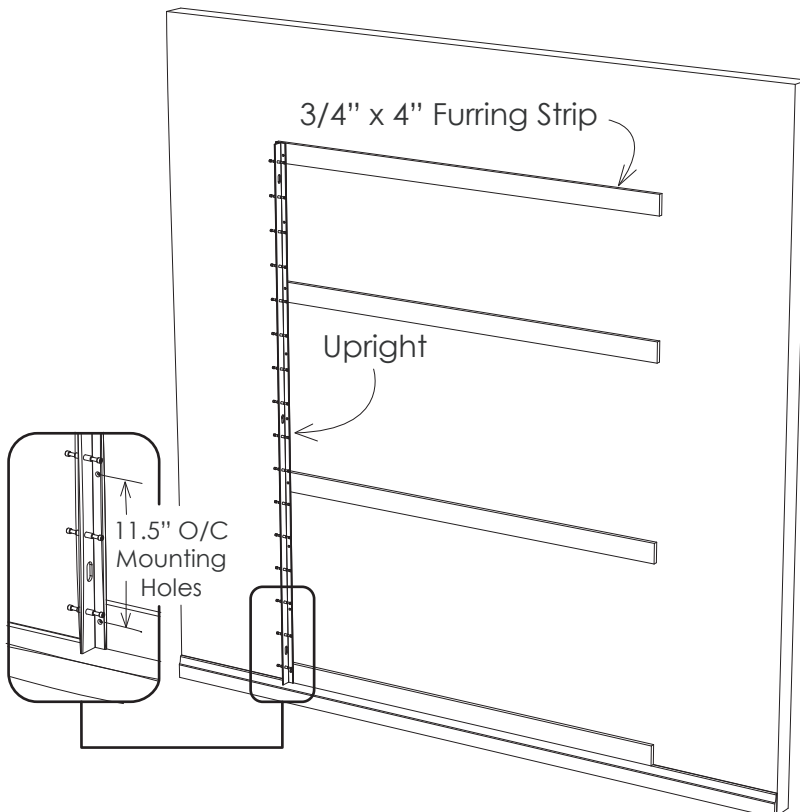
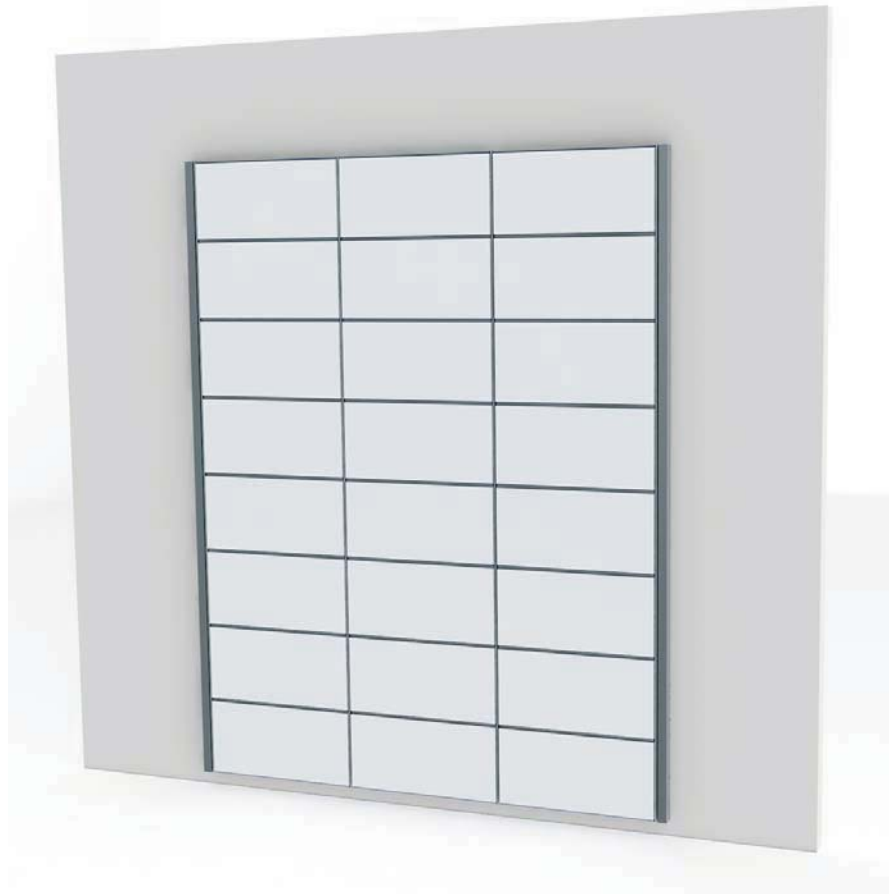
**Note:** Use upright to determine the proper spacing between each furring strip.

**APPROVED**

By dwilliams at 3:32 pm, Nov 03, 2014



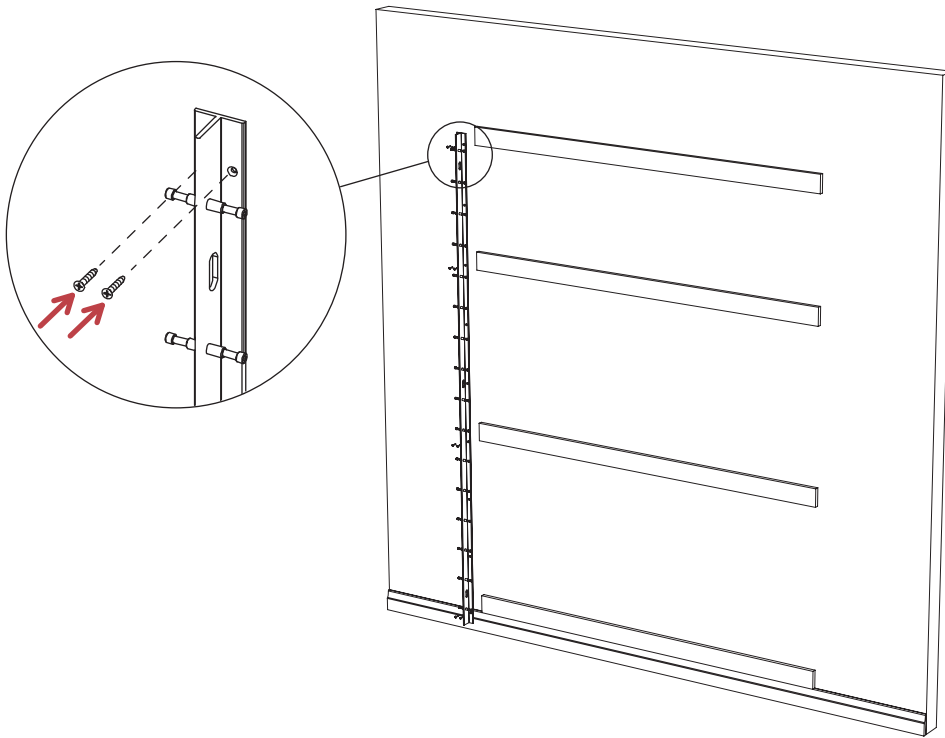
650.593.4127 WWW.BNIND.COM



# Assembly & Installation Instructions

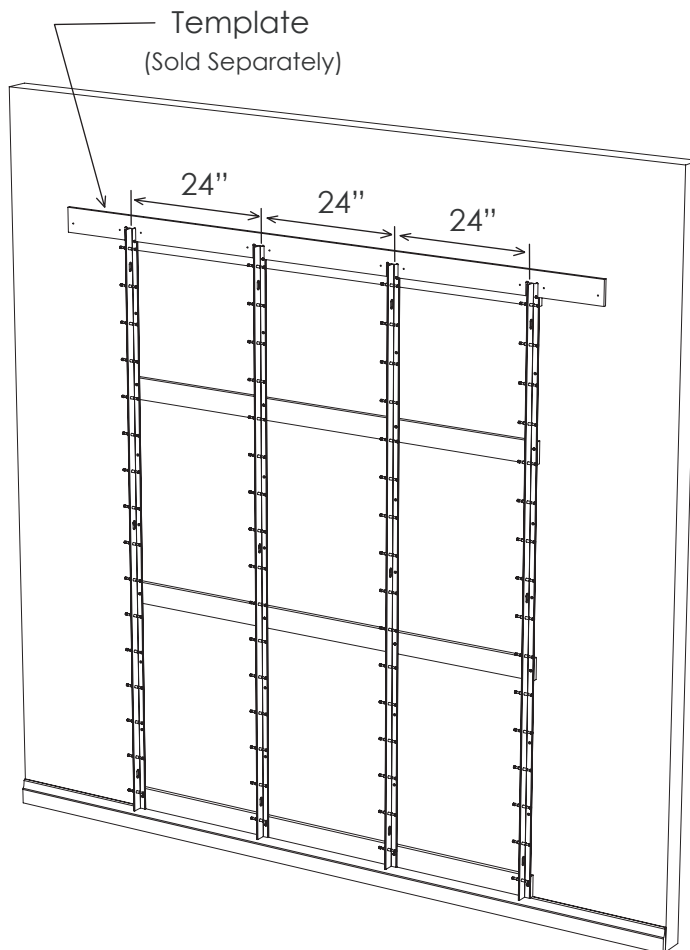
## SYSTEM 1224

12.5 Upright with Deep Endcap



2. Install the first System 1224 Upright to the wall with hardware (not included). Make sure the upright is plumb.

**Note:** #10 flat head screw is recommended.



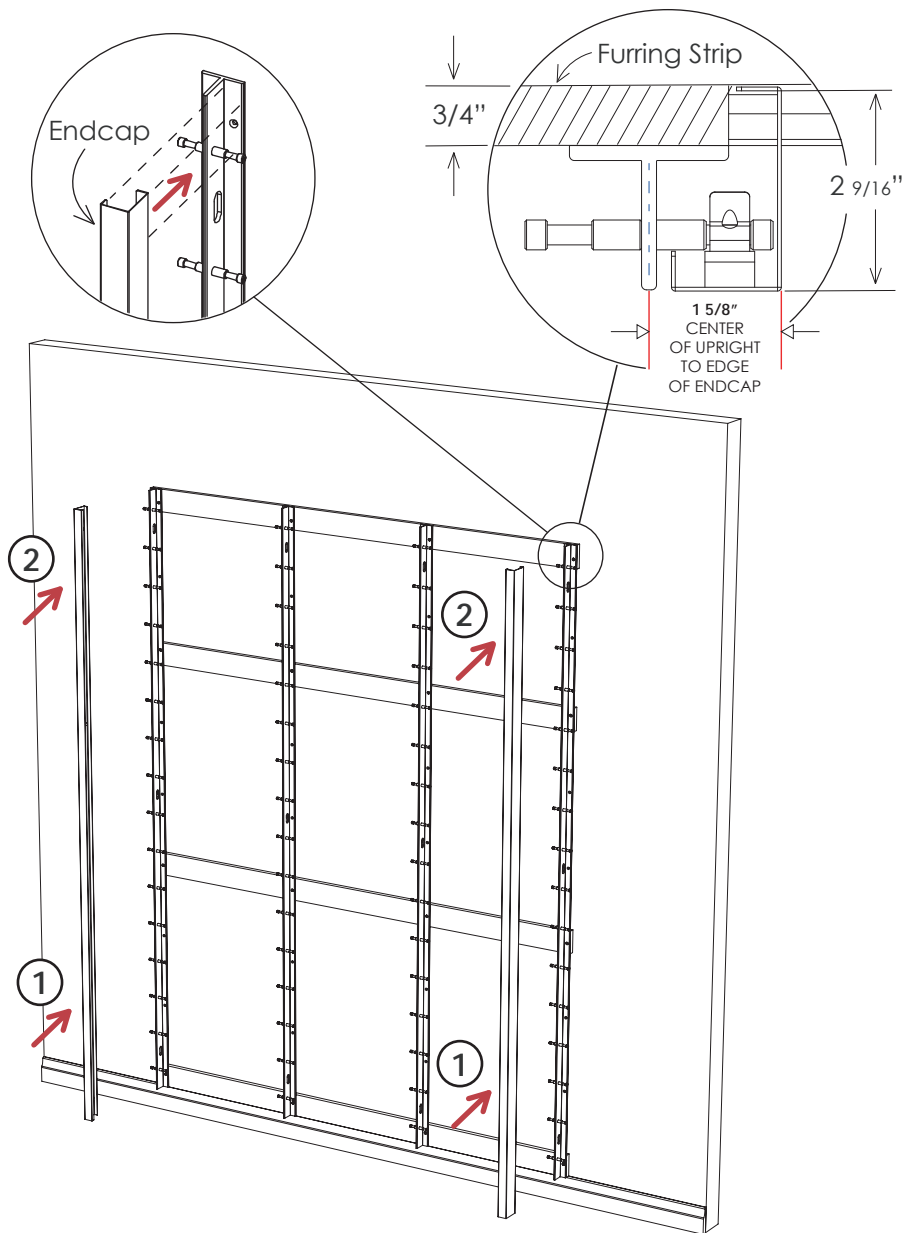
3. Install the rest of the System 1224 Uprights to the wall with hardware (not included). The spacing between each upright is 24 inches center-to-center (as shown).

Use the Template (included with order) to help with installation. Be sure the template is level before installation.

# Assembly & Installation Instructions

## SYSTEM 1224

12.5 Upright with Deep Endcap



4. Install one Deep Endcap to each end of the row of Uprights as shown below.

**Note:** Attach the lowest clip from endcap to the upright first. Then push the rest of endcap in place.

**Note:** The distance from center of the upright to the outer side of the endcap is 1 5/8\"/>