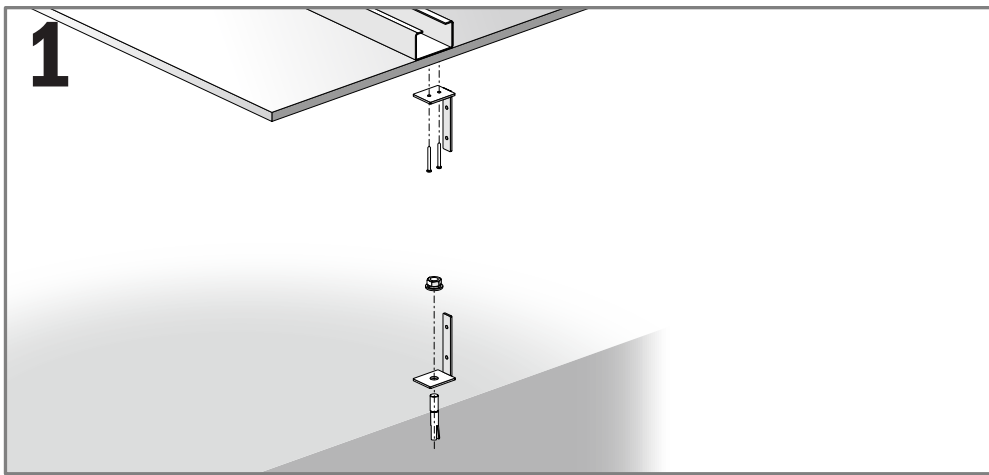
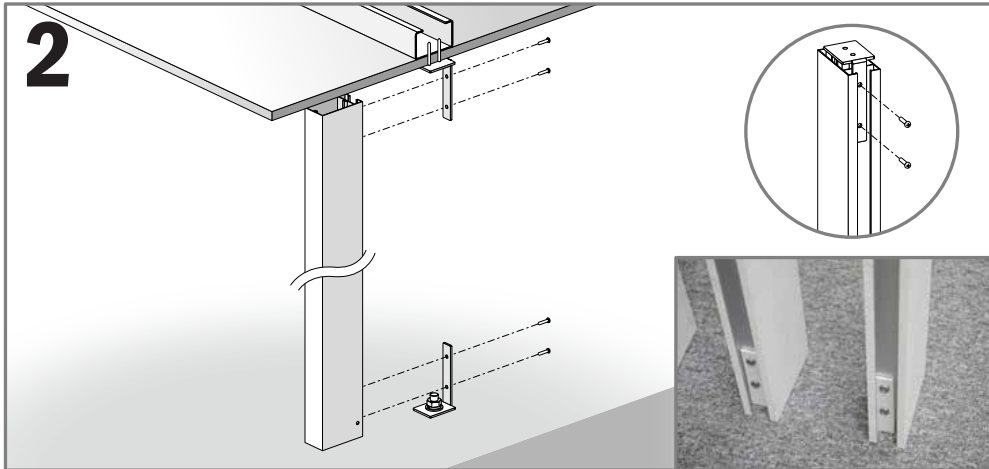
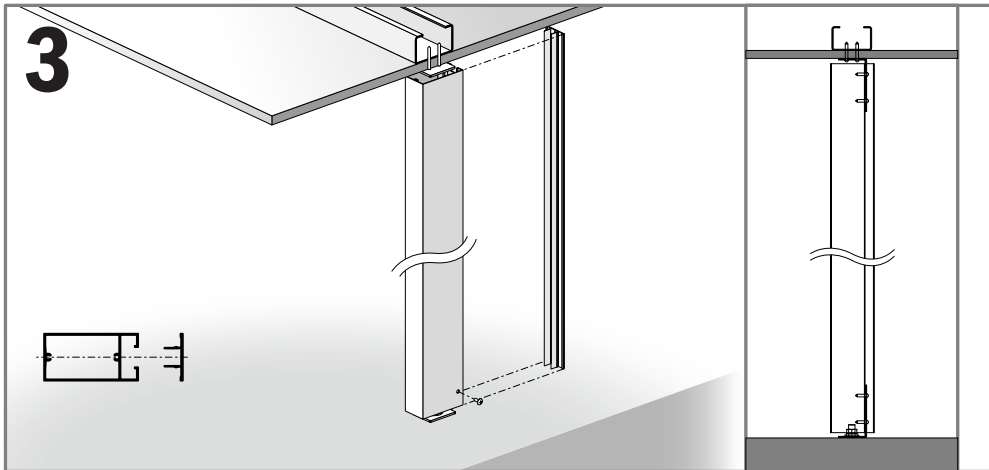


**1****2****3**

## FORTINA FLOOR TO CEILING INSTALLATION INSTRUCTIONS

### Louvers Connecting At Top And Bottom

1. Mounting the L-brackets : Based on your layout, measure and mark the position of your ceiling and floor attachment brackets. Be sure to locate a beam, joist or backing in your ceiling for the top L-bracket.

Attach the short side of top bracket with two screws appropriate for your mounting substrate. The long leg of the L will be attached to the Louver.

Directly below it bolt the bottom L-bracket into the finished floor leaving the long leg of the L sticking up.

Measure and cut the louver to the required height.

2. Take the louver and slide the open side into the top and bottom L-brackets all the way through to interior wall. Check alignment and position with level and then attach with screws provided.

3. Take the back rail, align it with the opening and gently apply pressure with your hand to lock it in place. Secure Louver t back rail with screws through the side.

Repeat to mark all louver locations per spacing



[www.bnind.com](http://www.bnind.com)

1.800.350.4127