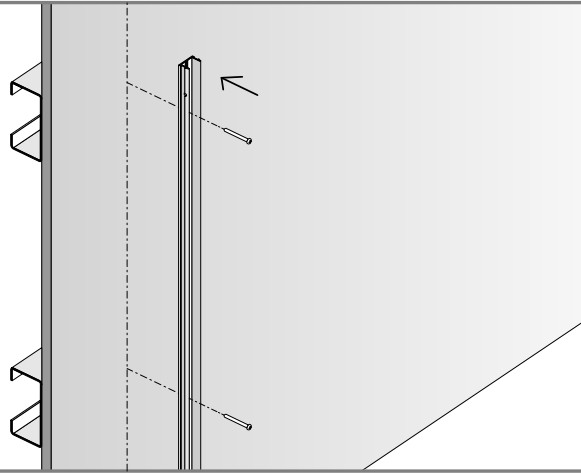
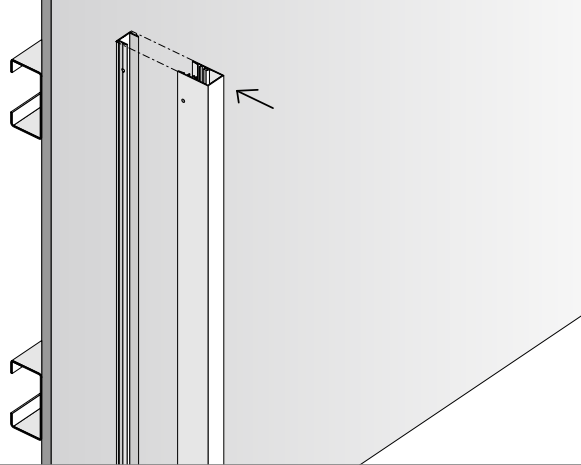
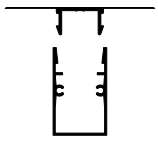
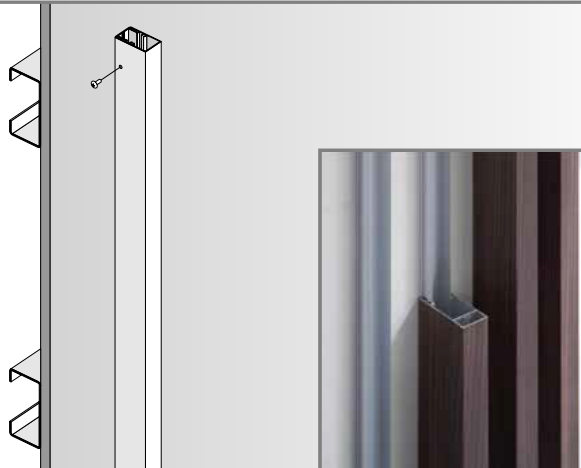
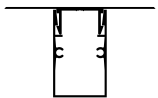


1**2****3**

FORTINA INTERLOCKING SYSTEM FOR WALL INSTALLATIONS

Louvers Direct Attachment Mounting Instructions

1. Attaching the back rail: Based on your layout, measure and mark the position of your louvers on the wall.

To place louvers exactly, draw a line on the wall with a string, laser level etc. Check with a level and repeat to mark all louver locations per spacing.

Take the back rail and mark locations of pilot holes.

Drill pilot holes in a diameter smaller than the screw you are using. (Clean up metal debris to avoid scratching the louvers.)

Put on the end caps on the louvers and attach them with screws provided.

To install the Back Component: Align the holes with the mark on the wall. Attach it with an appropriate screw.

2. Lastly, install the louver by fixing it to the backrail.

Adjust it on the back component and apply pressure with your hand. If it is tight, hit it gently with a rubber mallet. Be careful not to dent the metal!

3. Secure the Louver to the backrail with a screw through the side.



www.bnind.com

1.800.350.4127