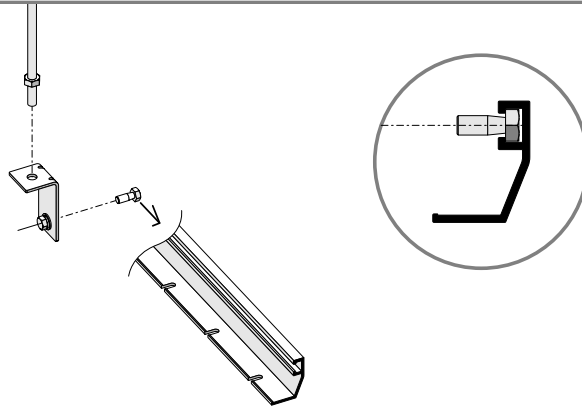
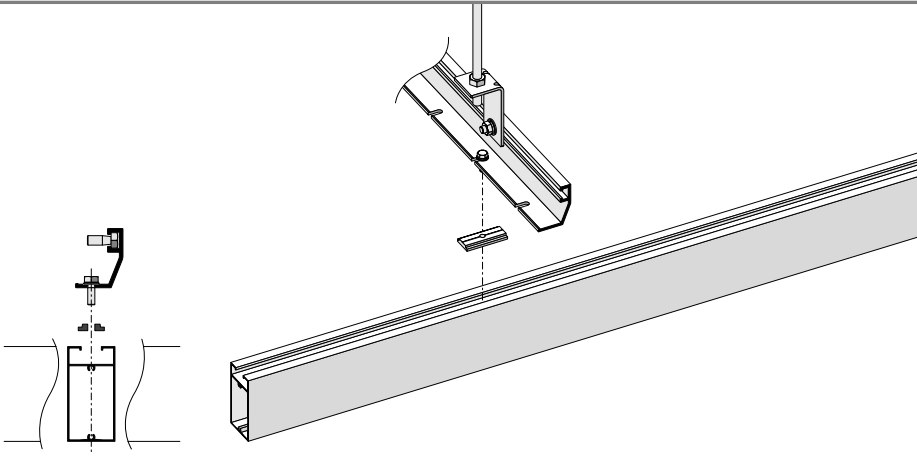
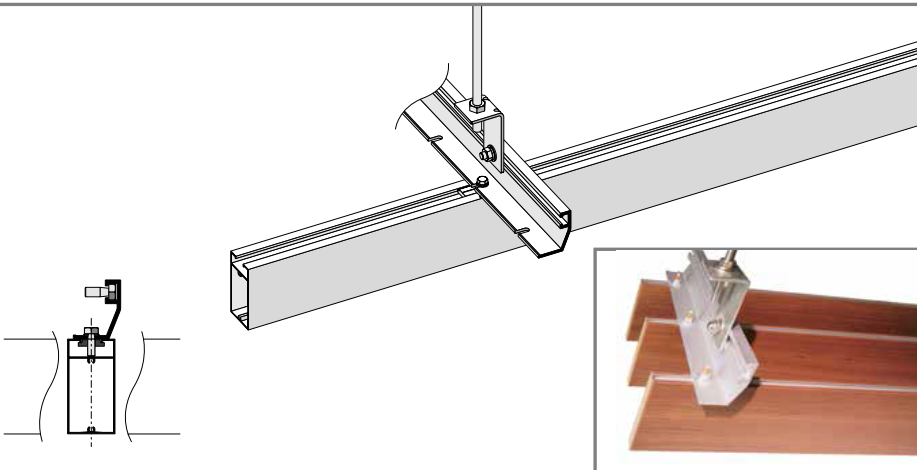


**1****2****3**

## FORTINA STRINGER ATTACHMENT INSTALLATION INSTRUCTIONS FOR CEILING APPLICATIONS

### Louvers And Channel Style Stringer With Pre-Determined Notches for Spacing

1. Attach the L-bracket to supporting structure. Attach bolt to L-bracket and slide into channel on stringer.
2. Attach end caps on each louver with the screws provided. Using the metal fittings, assemble the louvers onto stringer. Measure the gap between the edge on louver and the stringer to locate per plan and tighten to fix them.
3. Continue process for each attachment point.



[www.bnind.com](http://www.bnind.com)

1.800.350.4127