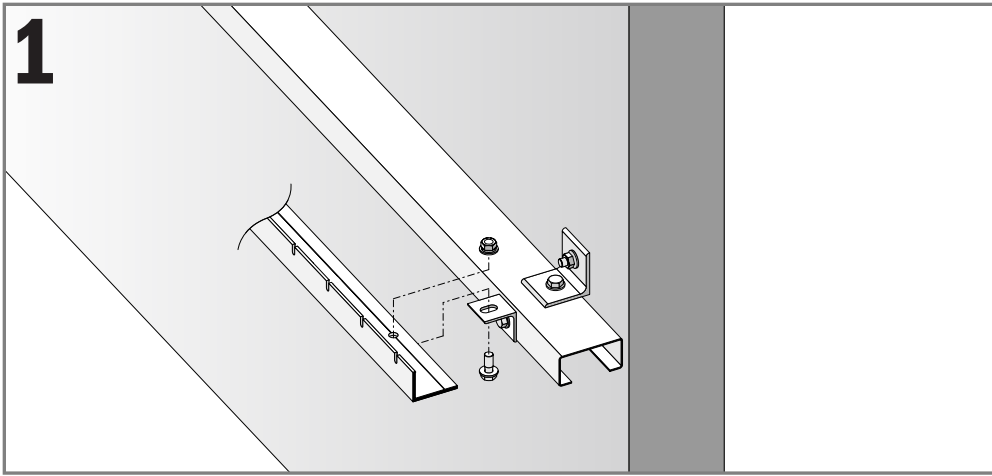
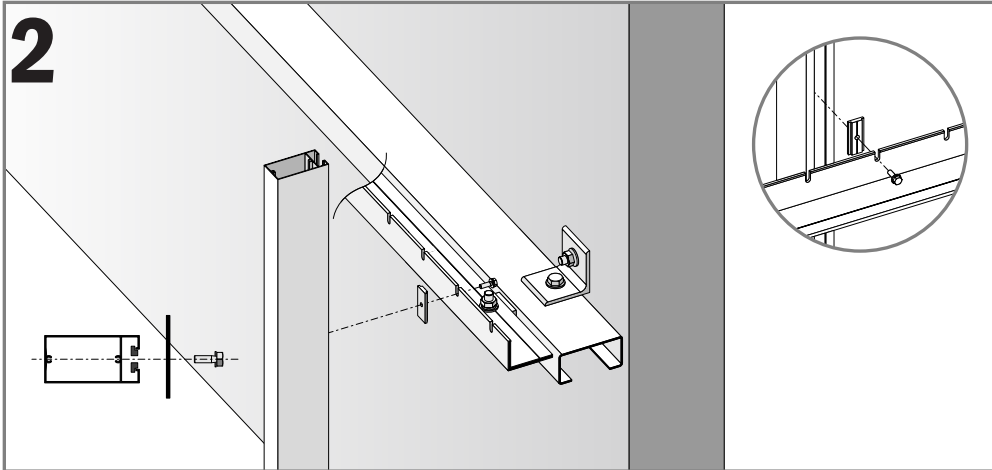
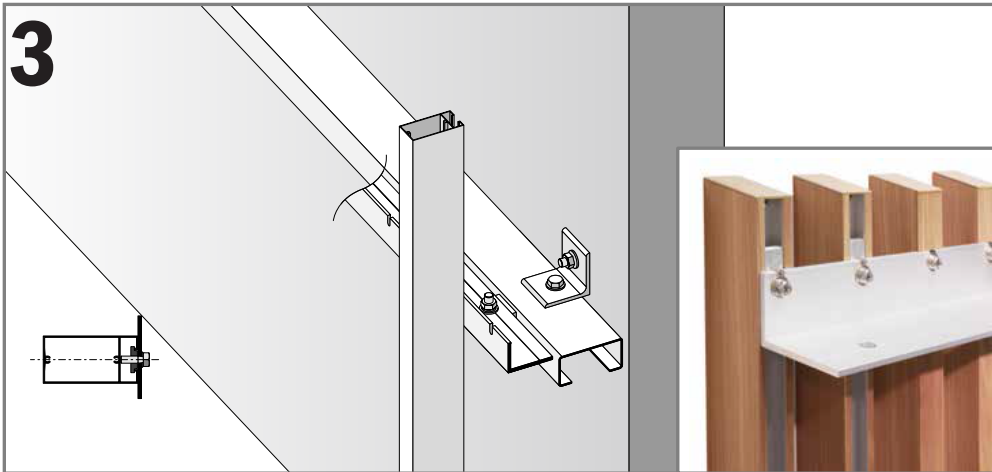


1**2****3**

FORTINA STRINGER ATTACHMENT INSTALLATION INSTRUCTIONS FOR WALL APPLICATIONS

Louvers And Channel Style Stringer With Pre-Determined Notches for Spacing

1. Attach the L-bracket to supporting structure. Using the through bolt secure the L-bracket to the stringer.
2. Attach end caps on each louver with the screws provided. Using the metal fittings assemble the louvers on the stringer. Measure the gap between the edge on louver and the stringer to locate per plan and tighten to fix them.
3. Check level and adjust if necessary before tightening the fittings completely. As the work space on the back side is limited, use a small tool such as socket spanner.

BN B+N INDUSTRIES, INC.

www.bnind.com

1.800.350.4127